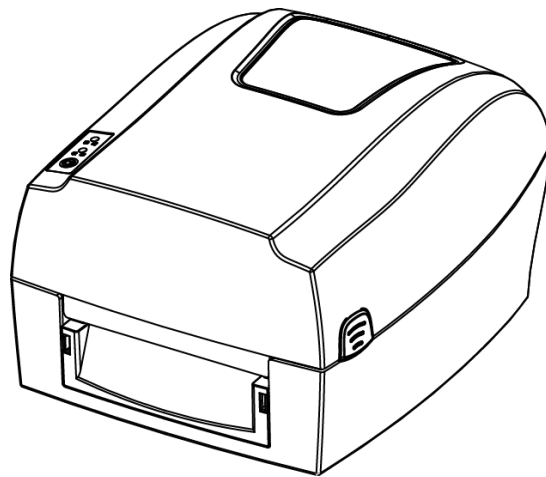


# User Manual

# T30



**Distribuido por CODBAR PERU E.I.R.L**

**Av. Pershing 182 Magdalena del Mar, Lima, Perú**

**E-mail: [ventas@cbxpos.com](mailto:ventas@cbxpos.com)**

**Celular: 961 228 511**

# Contents

Manual Information .....	1
Important Safety Instructions.....	1
Chapter 1 Introduction .....	4
1.1 Packing List .....	4
1.2 Appearance and Components.....	5
1.3 Dimension.....	7
Chapter 2 Specifications .....	8
Chapter 3 Installation & Usage.....	10
3.1 Media Loading .....	10
3.2 Power Connection .....	15
3.3 Peripherals Connection .....	16
3.4 Detection .....	17
3.5 Operation Panel.....	25
3.6 Basic Operation .....	27
Chapter 4 Interface.....	32
4.1 USB Interface .....	32
4.2 Other Optional Interfaces.....	33
Chapter 5 Maintenance & Adjustment .....	35
5.1 Cleaning Media Sensor .....	35
5.2 Cleaning Thermal Print Head.....	35
5.3 Cleaning Roller and/or Paper Path .....	36
Chapter 6 Label Printer Utility Instructions.....	37
6.1 Installation Preparation .....	37
6.2 Usage .....	37
Chapter 7 Seagull Windows Driver Instructions .....	49
7.1 Introduction.....	49
7.2 Installation Preparation .....	49
7.3 Installation .....	50
7.4 Usage .....	55
7.5 Removing.....	70
Chapter 8 BarTender Ultralite Instructions .....	76
8.1 Introduction.....	76
8.2 Installation Preparation .....	76
8.3 Installation .....	77
8.4 Usage .....	81
Attachment:.....	96

## Changes Record

Rev.	Date	Description
1.0	2016.07.15	--
1.1	2016.10.09	1. Modify the light definition 2. Add the label detector 3. Add the Seagull Drive 4. Add label editing software usage 5. Update tool 6. Update Seagull
1.2	2017.07.10	1. Modify tool 2. Modify Seagull
1.3	2017.09.23	Delete XP using
2.0	2018.05.30	Modify the light definition
2.1	2018.08.06	1. Modify parameters, add EPL directive: P8 2. Add round Hole label diagram: P23 3. Add feed button operation definition: P27-29
2.2	2018..9.5	Modify the tool command
2.3	2019.4.17	New tools: file management and vector font download

## ■ Statement

This manual content may be altered without permission, and our company reserves the rights to make changes without notice in technology, spare parts, hardware and software of the products. If more information is needed about the products, please contact our company. Without any written permission from our company, any section of this manual is prohibited to be copied or transferred in any form.

## ■ Copyright

This manual is printed in 2019, the copyright belongs to Xiamen Hanin Electronic Technology Co. Ltd.

Printed in China

2.3 Version

## ■ Warnings



This must be complied with in order to avoid any damage to the human body and the equipment.



This is showing the important information and tips for the printer operation.



**Note:** Due to continuous update of our product, the description of printer specification, accessories, design in this manual may be slightly different. Please keep in kind prevail.

## Manual Information

This user manual contains basic information for product usage as well as for emergency measures that may be required.

The installation and usage of printer driver, utility tool and HPRT BarTender® Ultralite are also included in the manual.

## Important Safety Instructions

Before using the present appliance, please carefully read the following safety regulations in order to prevent any hazard or material damage.

### 1. Safety warning



Warnings: The print head will become very hot during printing; avoid contact with the print head after printing has finished.



Warnings: Do not touch the printer head and connector in case static damage the printer head.

### 2. Instructions



**Warnings: Violating following instructions may cause serious injury or death.**

- 1) Do not plug several products in one multiperture outlet.
  - This can provoke over-heating and a fire.
  - If the plug is wet or dirty, dry or wipe it before usage.
  - If the plug does not fit perfectly with the outlet, do not plug in.
  - Be sure to use only standardized multiperture outlet.
- 2) You must use the supplied adapter.
  - It is dangerous to use other adapters.
- 3) Do not pull the cable to unplug.
  - This may damage the cable, which is the origin of a fire or a breakdown of the printer.
- 4) Do not plug in or unplug with your wet hands.
  - You may be electrocuted.
- 5) Do not bend the cable by force or leave it under any heavy object.
  - A damaged cable may cause a fire.



**Note: Violating following instructions may cause slight damage of the appliance.**

- 1) If you observe a strange smoke, odour or noise from the printer, unplug it before taking following measures.
  - Switch off the printer and unplug the set from the mains.
  - After the disappearance of the smoke, call your dealer to repair it.
- 2) Install the printer on the stable surface.
  - If the printer falls down, it may be broken and you may hurt yourself.
- 3) Use the approved accessories only and do not try to disassemble, repair or remodel it by yourself.
  - Call your dealer when you need these services.
  - Do not touch the blade of auto cutter.
- 4) Do not let water or other foreign objects drop into the printer.
  - If this happened, switch off and unplug the printer before calling your dealer.
- 5) Do not use the printer when it is out of order. This can cause a fire or an electrocution.
  - Switch off and unplug the printer before calling your dealer.
- 6) Other considerations:
  - Place the printer on a solid and even base so that it cannot fall.
  - Leave enough space around printer for operation and maintenance.
  - Keep all liquids away from the printer.
  - Do not expose the printer to high temperatures, direct sunlight or dust.
  - Ensure the printer is connected to a socket with the correct mains voltage.
  - Switch off the printer POWER supply when it's not in use for a long time.
  - To ensure the printing quality and reliability, suggest use the same quality or recommend paper supplier.
  - Pls. switch off the POWER supply when connect/disconnect all the ports or it will cause damage to the printer control circuit.
  - Never carry out maintenance or repair work yourself. Always contact a qualified service Technician.
  - Keep this User Manual in a place which is easily accessible at all times.

### 3. Other Precautions

The copyright for this user manual and various other manuals is property of our company. Any copying or conversion into electronic form and saving of this material without the express written permission is strictly prohibited. Use of the information contained in this manual is not subject to any patent liability. This manual has been prepared with utmost care and attention to detail but may contain certain errors and/or omissions. Our company is not legally liable for any damages resulting from the use of the information in this manual. Our company and its affiliates are not legally liable (United States excluded) for any damages, loss, costs, and/or expenses that result from the breakdown, malfunction, and/or misuse of the product due to violation or neglect of the operation and maintenance information and instructions provided by our company, as well as from the unauthorized alteration, repair, and/or modification of the product by the user and/or third party. We are not legally liable for any damages and/or issues resulting from the use of options and/or parts that are not authentic or authorized products.

### 4. WEEE (Waste Electrical and Electric Equipment)



This mark shown on the product or its literature indicates that the corresponding item should not be discarded at the end of its working life with other household waste. To prevent possible harm to the environment or human health from uncontrolled waste disposal, please separate marked items from other types of waste and recycle them responsibly to promote the sustained reuse of material resources. Household users should contact either the retailer where they purchased this product, or their local government office for details of where and how they can conduct environmentally safe recycling of such items. Commercial users should contact their suppliers and check the terms and conditions of purchase contracts. This product should not be combined with other commercial waste for disposal.



**Caution: This is a Class A product. In a domestic environment this product may cause radio interference in which the user may be required to take adequate measures.**



# Chapter 1 Introduction

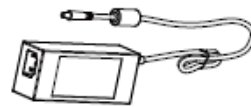
## 1.1 Packing List

**Note:**

1. Unpack the printer and keep the packing materials in case you need to ship the printer in the future.
2. Any damages exist, please contact the local dealer.



Printer



AC Adapter



Power Cord



USB Cable



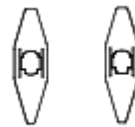
Empty Ribbon Core



Ribbon



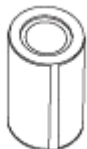
Label Supply Spindle



Label Supply Plates



Ribbon Spindles



Label Roll



CD

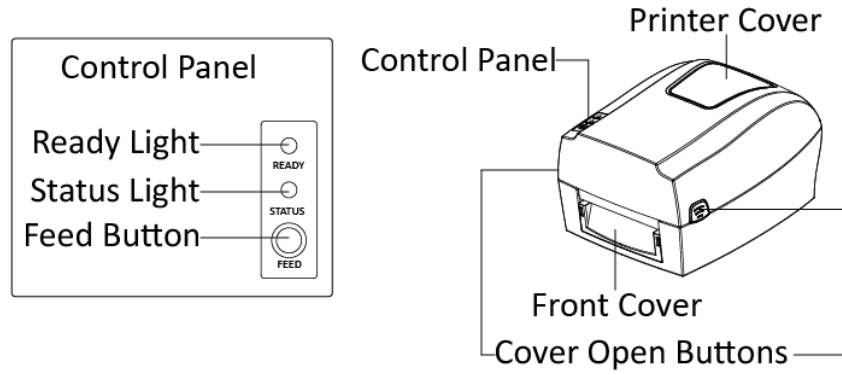


Quick Start Guide

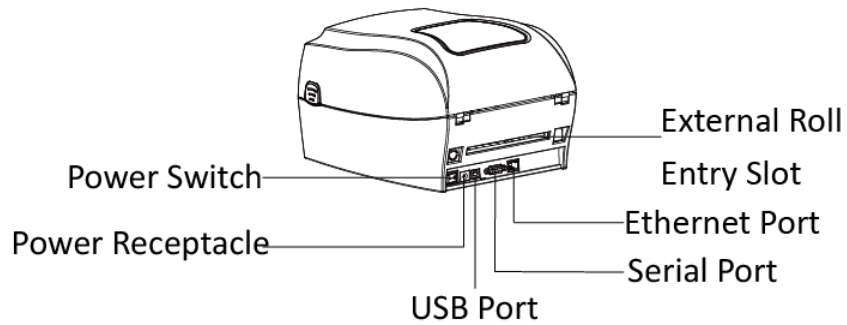
**Note:** The packing materials are based on the order.

## 1.2 Appearance and Components

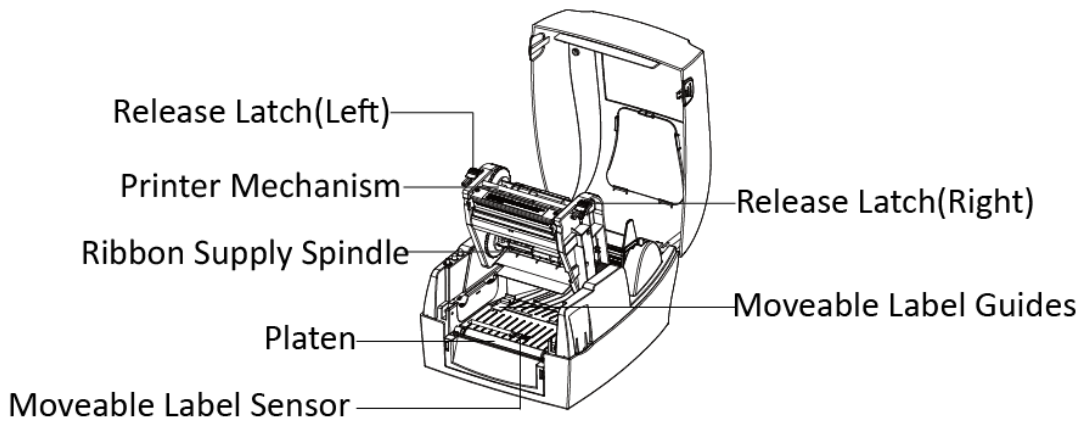
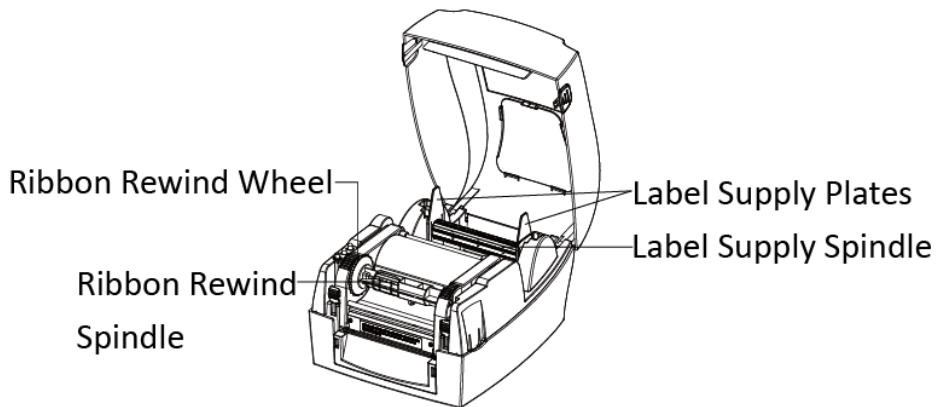
### ■ Front View



### ■ Rear View

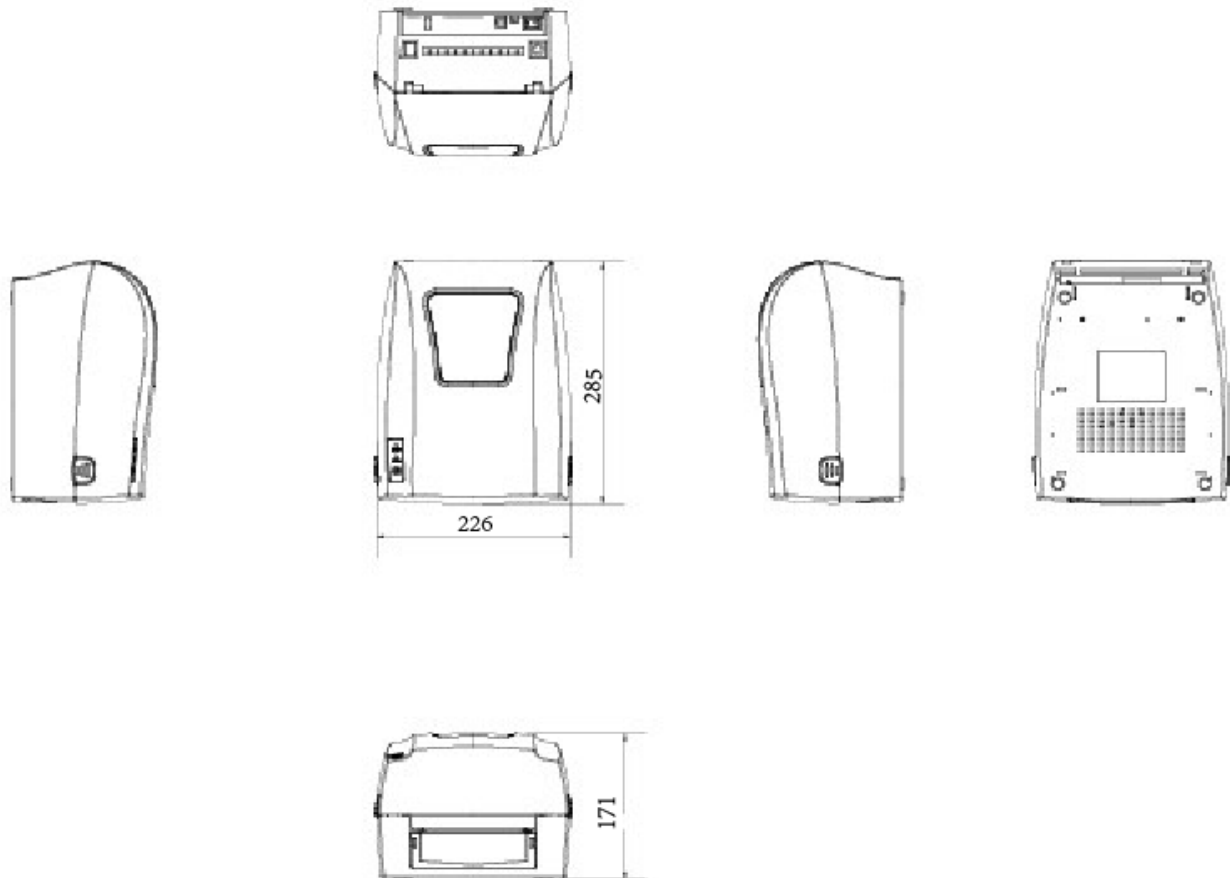


▪ **Inside View**



**Note:** The views above are for your reference. Ports vary by your choice.

### 1.3 Dimension



## Chapter 2 Specifications

(2/1)

Items		Parameter	
Type		HT300	HT330
Printing	Printing method	Thermal transfer / Direct thermal	Thermal transfer /Direct thermal
	Resolution	203dpi(8dots/mm)	300dpi(11.8dots/mm)
	Printing speed	127mm/s Max.	102mm/s Max.
	Printing width	108mm Max.	106mm Max.
	Printing length	15mm - 1200mm	15mm - 1200mm
Processor		NUC976	
Memory	RAM	32MB	
	Flash	16MB	
Detection	Sensors	Adjustable reflective sensor,Fixed transmissive sensor(Central aligned), Head-up sensor, Ribbon end sensor	
Media	Types	Roll-fed or Fan-fed,Die-cut or Continuous label,Tag stock,Continuous receipt paper	
	Width	0.79''(20mm) – 4.65''(118mm)	
	Thickness	0.003''(80um) – 0.007''(180um)	
	Label roll diameter	5''(127mm)	
	Core diameter	1''(25.4mm),1.5''(38mm),3''(76.2mm)	
Ribbon	Types	Wax,Wax/Resin,Resin	
	Width	1.33''(33.8mm) – 4.33''(110mm)	
	Length	984'(300m)	
	Core diameter	1''(25.4mm)	
Programming Language		TSPL, ZPL, EPL	
Software	Label design	HPRT BarTender Ultralite	
	Seagull Driver	Windows 2000,Vista,7,8,10	
Resident Fonts	Bitmap fonts	Fonts 0-8 / Fonts A-H,0,GS,P-V 90°, 180°, 270° rotatable. 10 times maximun expandable in horizontal and vertical directions.	
	TTF fonts	Monotype CG Triumvirate™ scalable true type font	

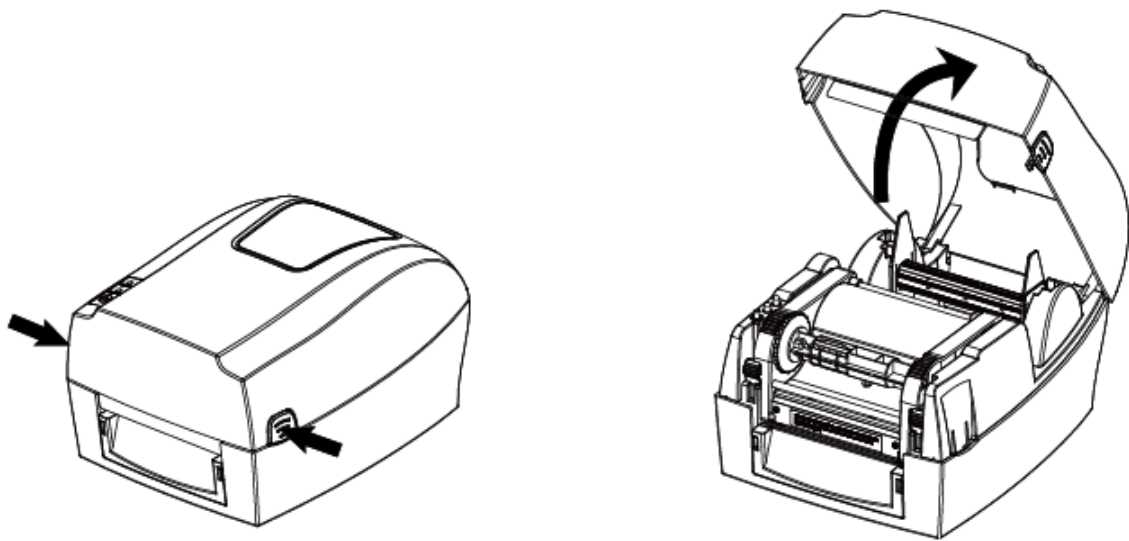
Items		Parameter
Download Fonts	Bitmap fonts	90°, 180°, 270° rotatable, single characters 90°, 180°, 270° rotatable
	Asian fonts	16x16, 24x24. Traditional Chinese, Simplified Chinese, Japanese, Korean
Code Pages		DOS437,720,737,755,775,850,852,855,856,857,858,860,862,863,864,865,866, Windows 1250,1251,1252,1253,1254,1255,1256,1257,1258 ISO8859-1,-2,-3,-4,-5,-6,-8,-9,-15 DBCS 932 (JIS), 936(GBK), 949 (Koran), 950(BIG5)
Barcode	1D	Code 39, Code 93, Code 128UCC, Code 128 subset A, B, C, Codabar, Interleave 2 of 5, EAN-8, EAN-13, EAN-128, UPC-A, UPC-E, EAN and UPC 2 (5) digits add-on, MSI, PLESSEY, POSTNET, RSS-Stacked, GS1 DataBar, Code 11
	2D	PDF417, Maxicode, DataMatrix, QR Code, Aztec
Interfaces	Standard	USB,RS232,Ethernet
	Optional	Bluetooth,WiFi (user install)
Control Panel		Two bi-color status LEDs:Ready,Status Control key:Feed
Power		AC/DC switching power adapter I/P: AC100-240V, 50/60Hz, O/P: DC 24V/2.5A
Environment	Operation	41°F(5°C)-104°F(40°C), 30%-85%,non-condensing
	Storage	-4°F(-20°C)-122°F(50°C), 10%-90%,non-condensing
Physical Characteristics	Dimension(L*W*H)	285*226*171mm
	Weight	2.26kg,excluding consumables
Options & Accessories		External label roll holder for 8'' (203mm) OD label rolls Cutter module Peeler module

## Chapter 3 Installation & Usage

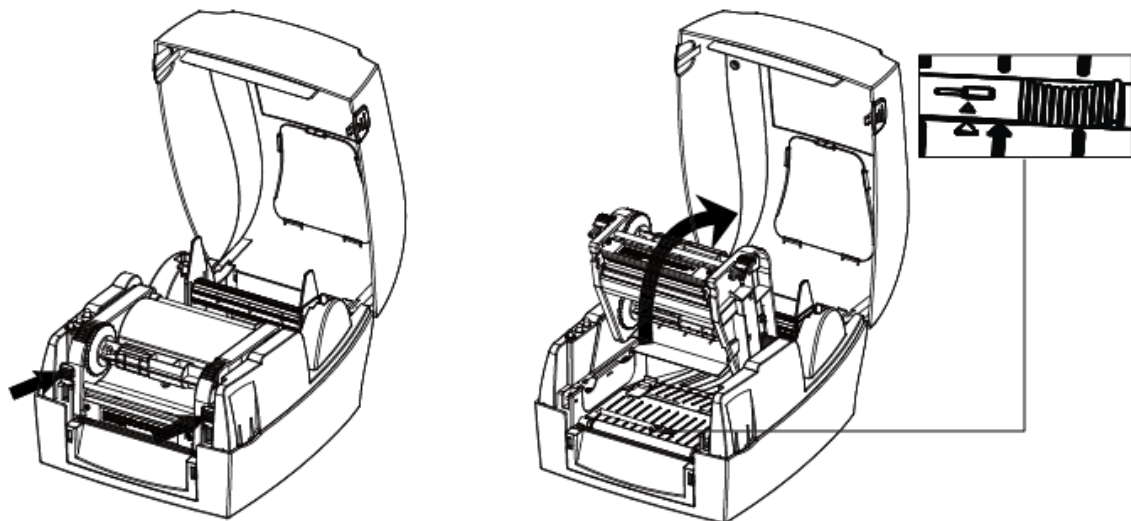
### 3.1 Media Loading

#### 3.1.1 Paper Roll Loading

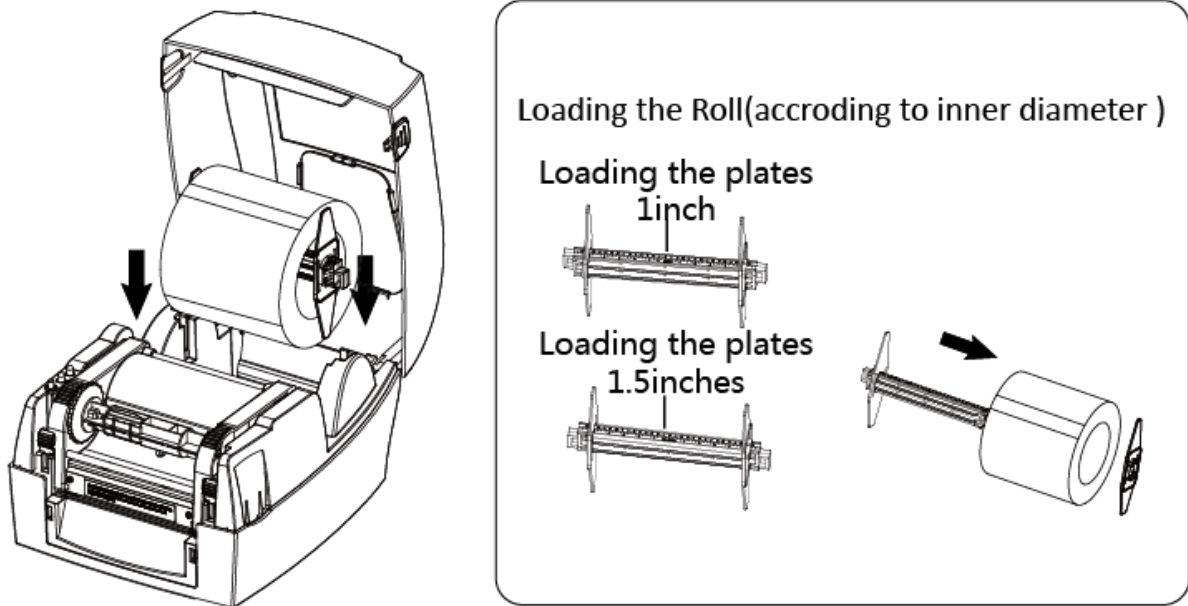
1. Press the cover open buttons and lift the printer cover.



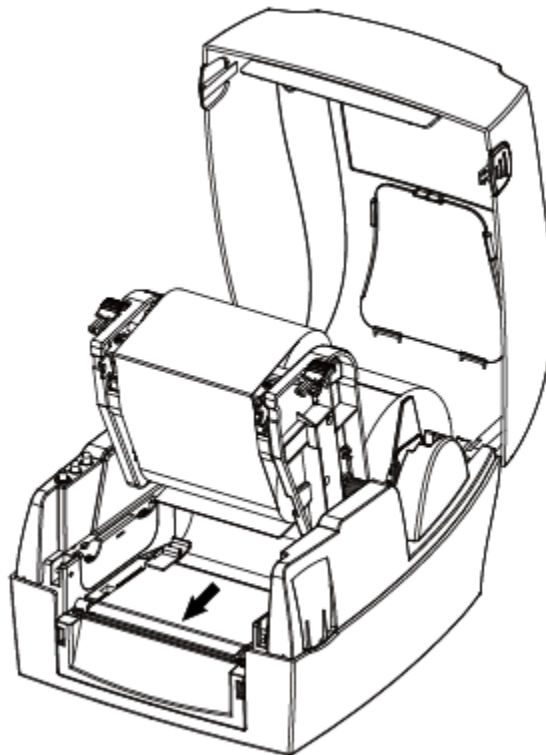
2. Release the latches and lift the printer mechanism.



3. Put the roll into label supply spindle and then put the roll module into the printer.



4. Release and lift the printer mechanism. Then pass the labels through label guides and adjust label guides to label's width.



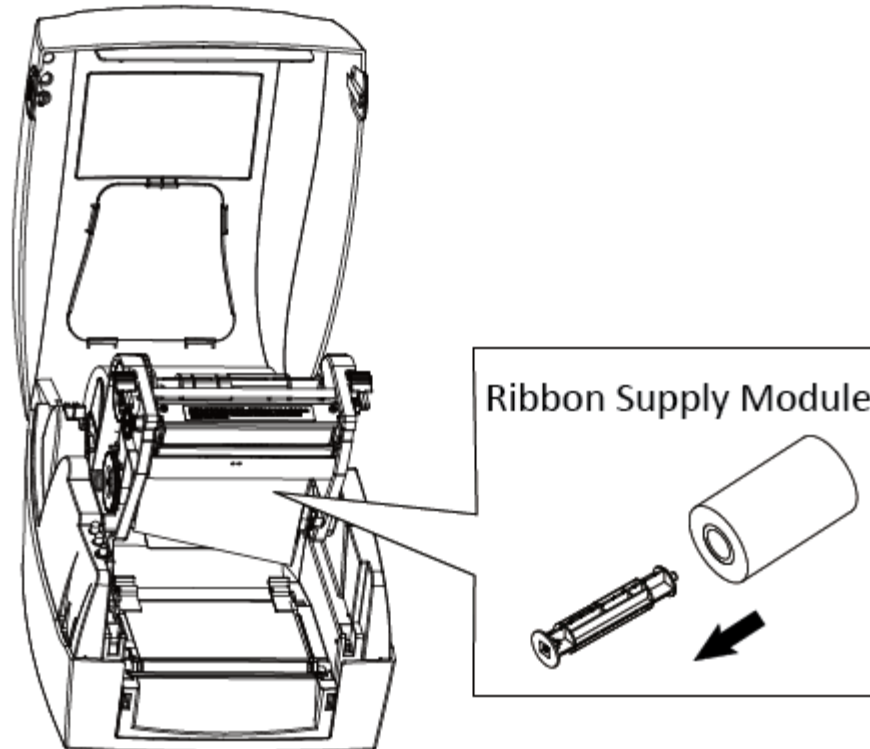
**Note:**

If your printer is under Thermal Line Printing Method, press down the printer cover until it snaps closed. Otherwise, continue the procedure in chapter 3.1.2.

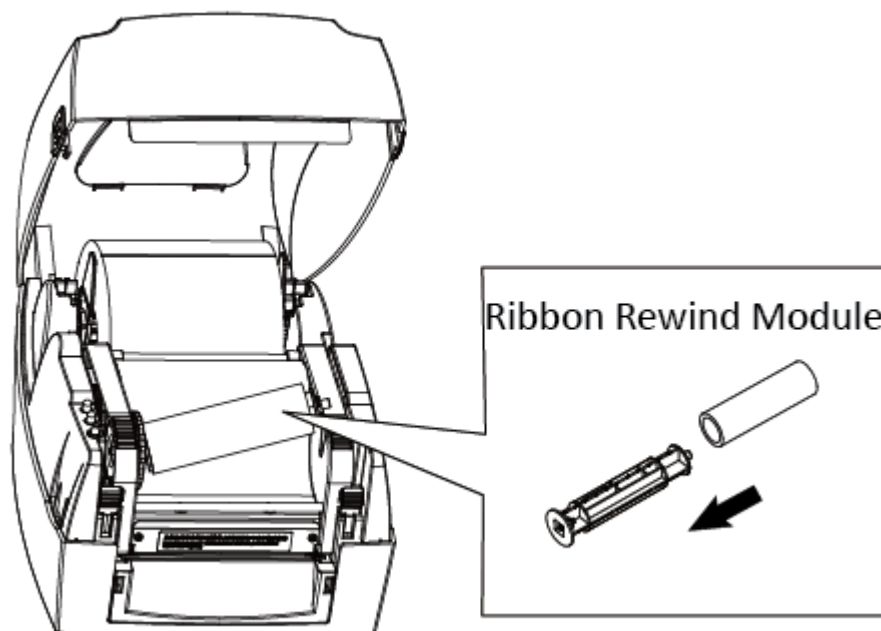


### 3.1.2 Ribbon Loading

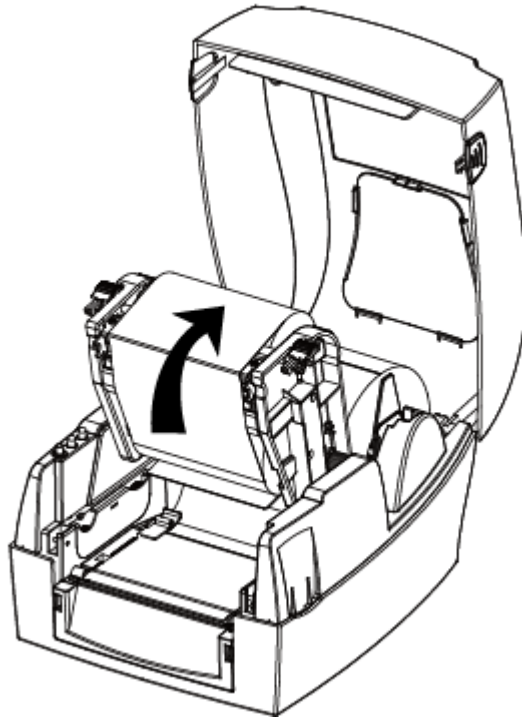
1. After putting the ribbon into spindle, insert the left side of supply module into supply wheel, and then insert the right side into the groove below.



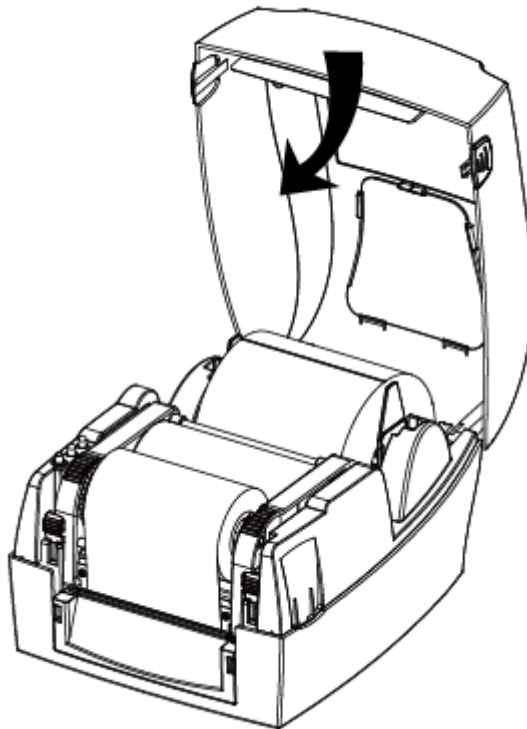
2. After putting empty ribbon core into spindle, insert the left side of rewind module into rewind wheel, and then insert the right side into the groove above.



3. Pull up the ribbon and stick it to the empty ribbon core. Wind the core 2~3 circles until the ribbon is pulled tightly.

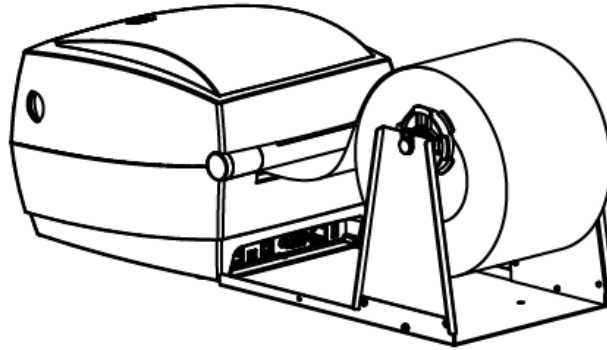


4. Fix the mechanism and then close the cover.



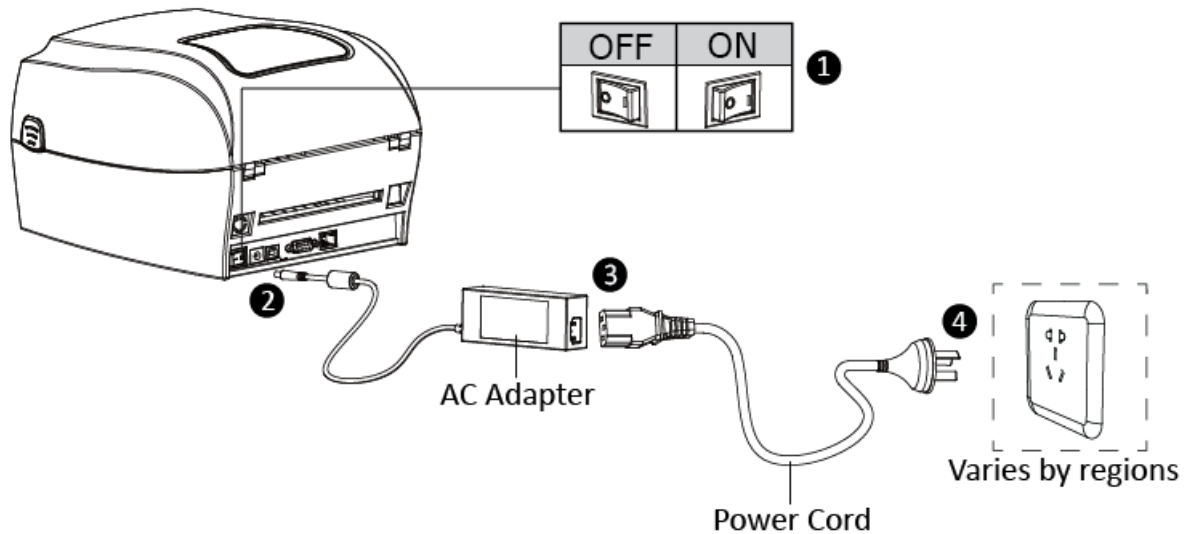
### 3.1.3 External Paper Roll Loading

If the paper roll is extremely large, users can load the paper roll outside (See the graph at right). Pass the paper through the external feed slot and then through the paper guides.



## 3.2 Power Connection

1. Make sure the printer's power switch is in the off position.
2. Connect the AC adapter to power receptacle.
3. Connect the power cord to AC adapter.
4. Connect the other end of power cord to the outlet.



 **NOTE:**

- Use the original power adapter only. Avoid the damage caused by charging improperly.
- Please unplug the printer power cord if it is not in use for a long time.

## 3.3 Peripherals Connection

### 3.3.1 Interface Cable Connection

The standard for the printer's interface cable shows in the following.

- USB B-Type Cable
- RS-232C(Serial) Cable
- RJ45 Cable

Please follow the instructions to connect the cable.

- 1) Turn off the power switch.
- 2) Connect the communication cable to the printer communication port to be used.
  - Connect USB B-Type cable to the USB port.
  - Connect the RS-232C(Serial) cable to the serial port.
  - Connect the RJ45 cable to the ethernet port.

### 3.3.2 Bluetooth Connection

PDA with Bluetooth interface, laptop and other information terminals can drive the mobile thermal printer. Instructions as follows:

1. Power on printer.
2. Primary device search for outer Bluetooth devices.
3. If there are some outer Bluetooth devices, choose HT300 or HT330.
4. Finish pairing.

Detailed pairing methods, please refer to primary devices Bluetooth Names. After pairing, primary devices with virtual Bluetooth interface (smart phone, pocket PC, palm, notebook) can drive mobile thermal printer to print through such virtual Bluetooth interface.



**Note: The original code is 1234.**

## 3.4 Detection

When printing paper, the moveable label sensor is used to detect paper. The label sensor moves differently when using various kinds of paper. If user moves the sensor improperly, paper may not be detected, therefore the printer could not print paper. The following instructions tell users how to use label sensor correctly. Please read it carefully.

### 3.4.1 Continuous Paper

When printing continuous paper (Figure 1), the sensor shall be aimed at the left photoelectric hole (Figure 2), which is the original position.

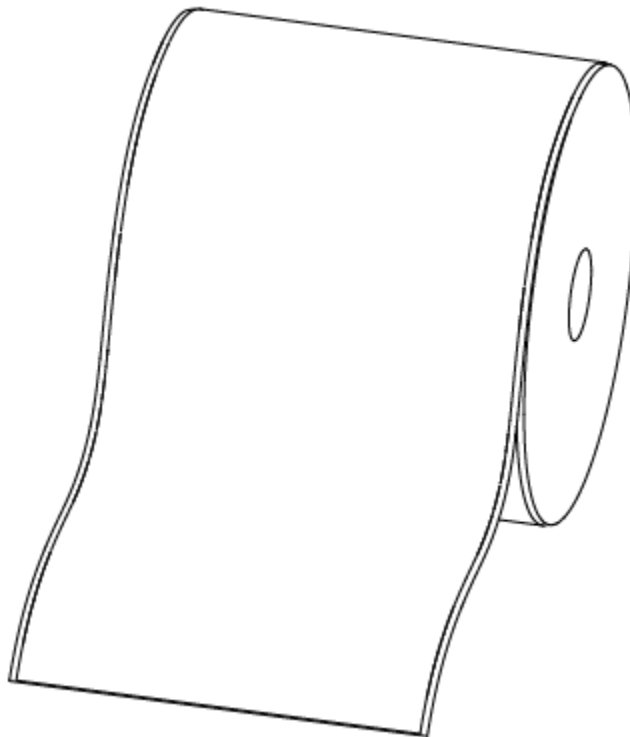


Figure 1 (Continuous Paper)

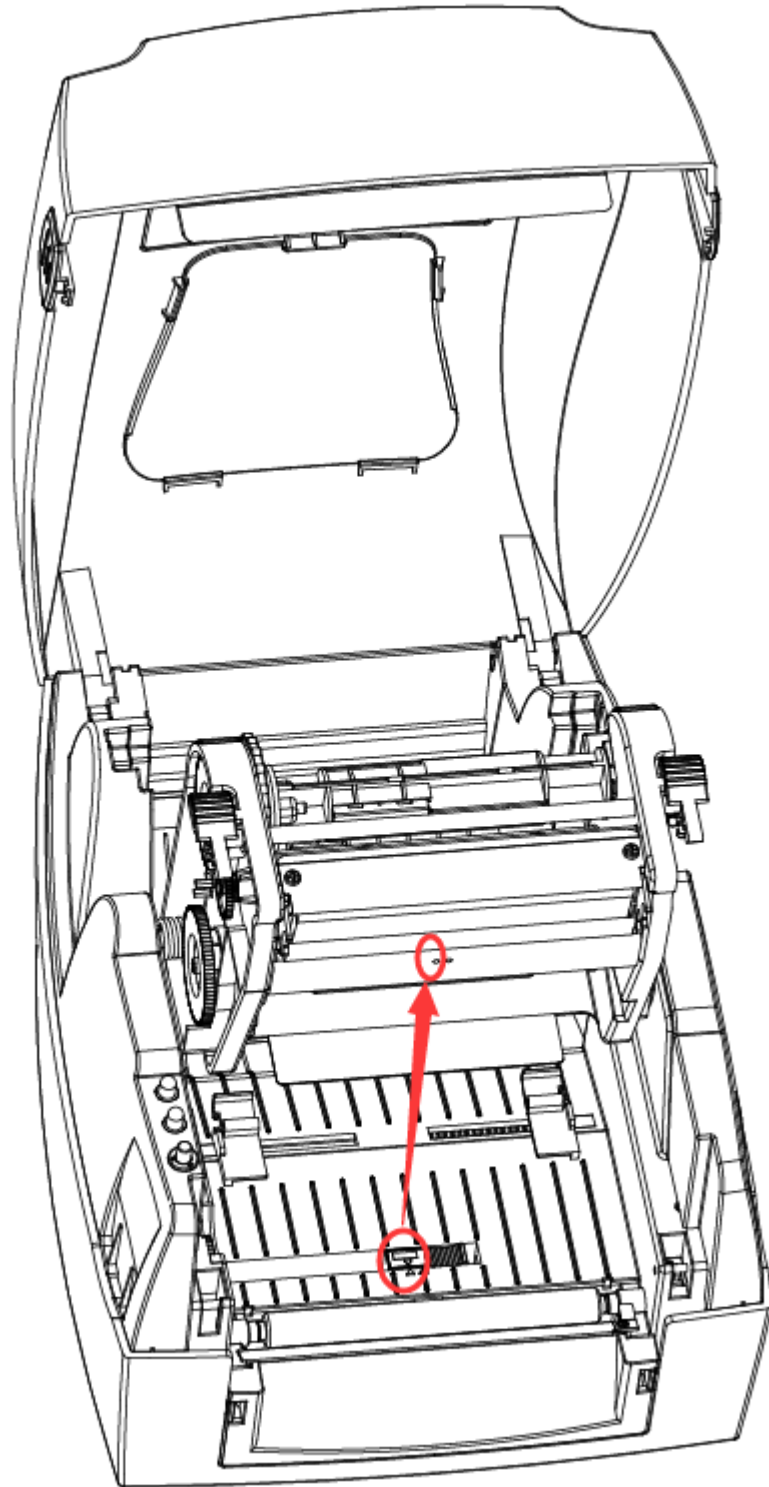


Figure 2 (Left)

### 3.4.2 Labels

When printing labels (Figure 3) or double-row labels (Figure 4), the sensor shall be aimed at the left photoelectric hole (Figure 5), which is the original position.

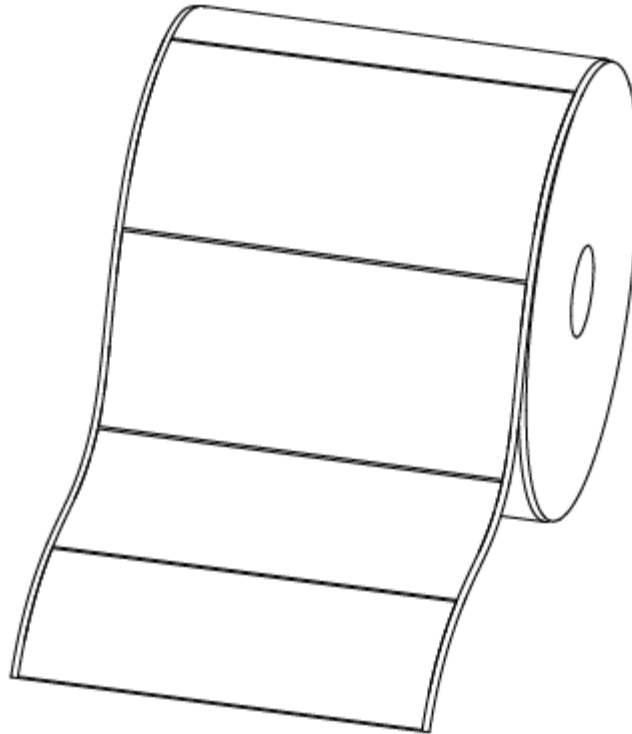


Figure 3 (Labels)



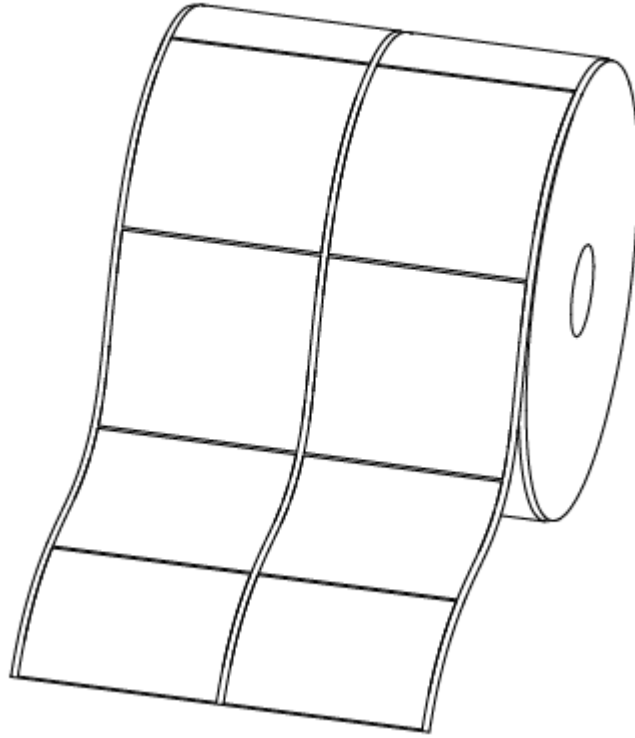


Figure 4 (Double-row Labels)

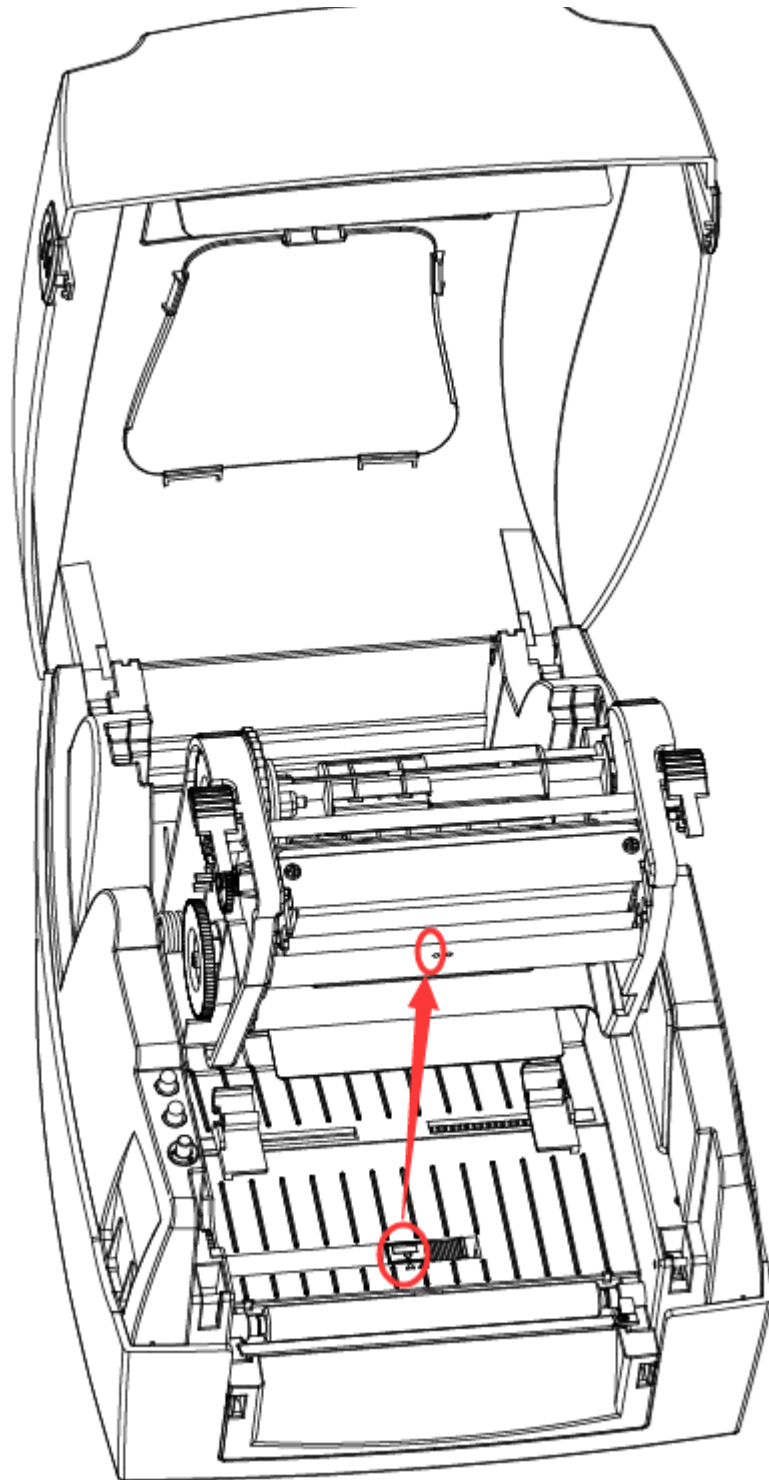


Figure 5 (Left)

### 3.4.3 Punched Hole Label

When printing punched hole labels, move the sensor until it's aimed at the right photoelectric hole (Figure 6).

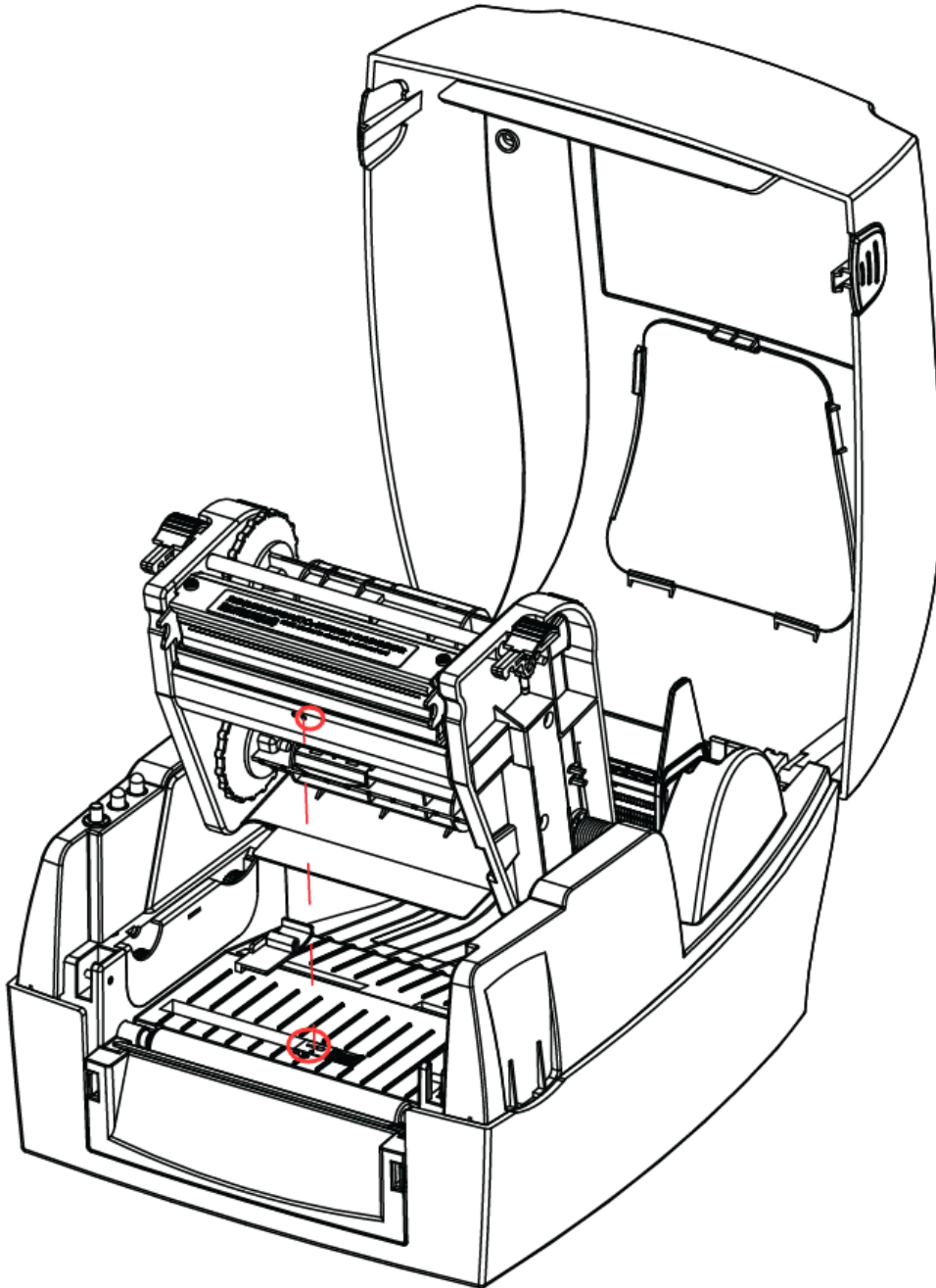


Figure 6 (Right)

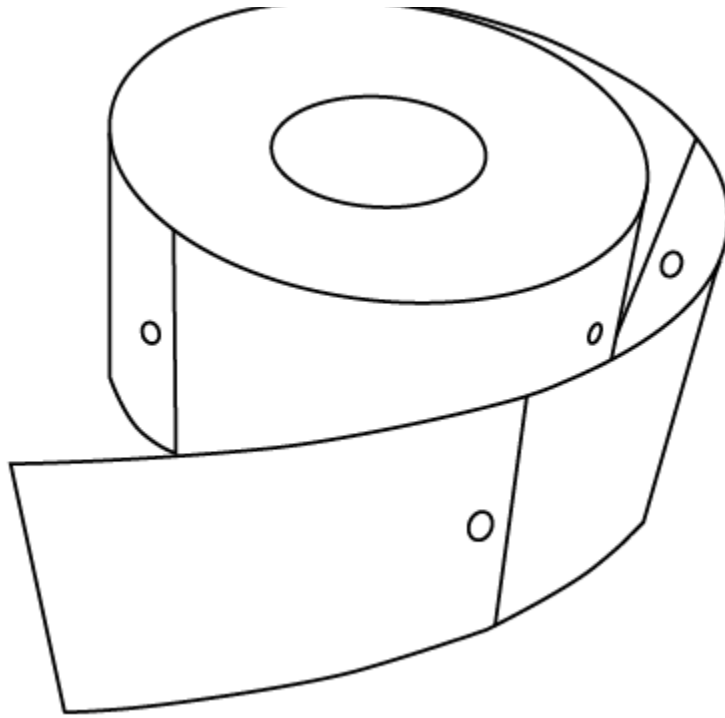


Figure 7 (Punched Hole Label)

### 3.4.4 Blackmark Paper

When printing blackmark paper (Figure 7), the sensor shall be aimed at the position of black mark (Figure 8).

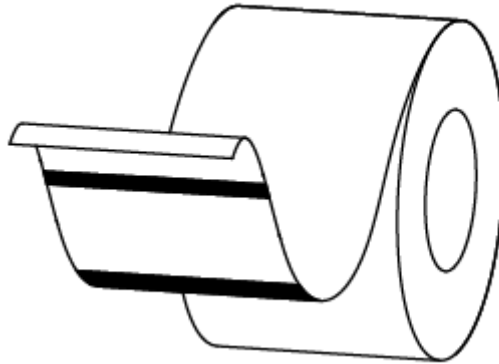


Figure 8 (Blackmark Paper)

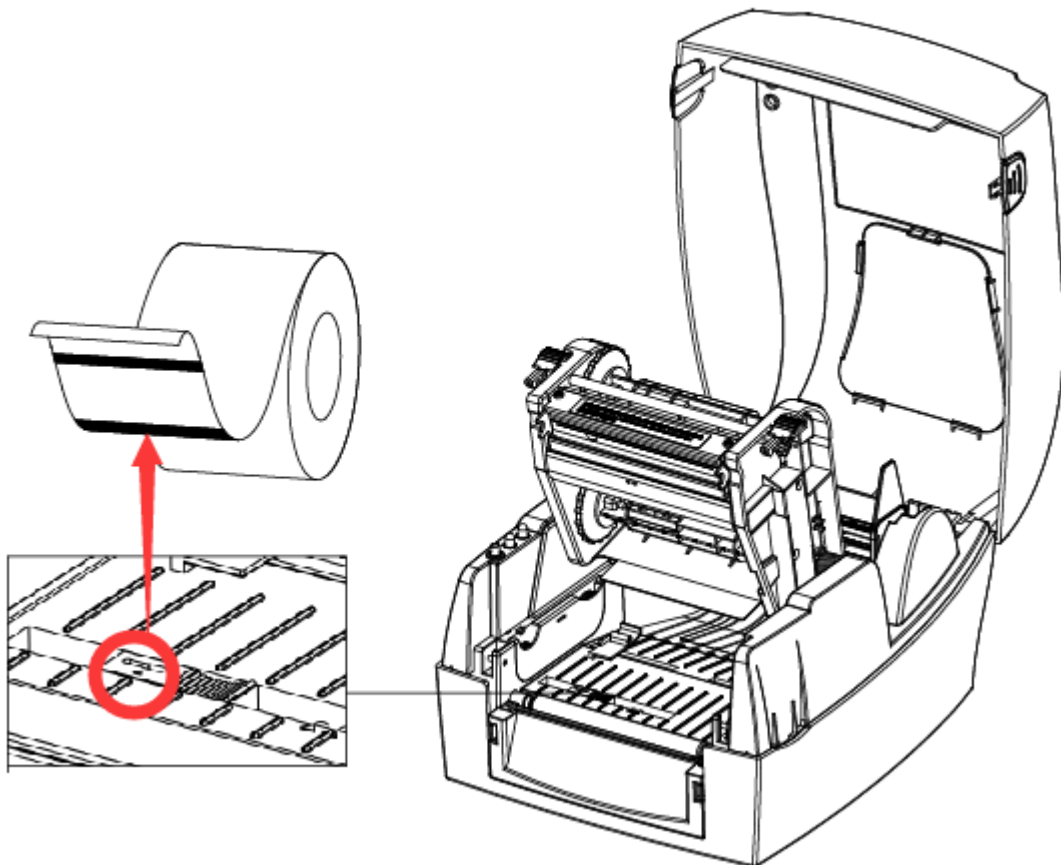


Figure 9 (aimed at blackmark's position)

## 3.5 Operation Panel



HT300



HT330

### 1. Turn on the printer

In shutdown state, turn on the power switch on the back of the printer, the printer and the LED are on.

### 2. Turn off the printer

In a power-on state, turn off the power switch on the back of the printer, the printer and the LED are off.

### 3. FEED button

Please refer to **3.6.2 Feed Button**.

**3.Description of indicator status:**

Ready		Status		Indicator Status
Color	Action	Color	Action	
Green	Lit on	X	X	Ready
Green	Slow flash	X	X	Dump mode
Red	Lit on	X	X	Overheat of printhead
Red	Slow flash	X	X	Ribbon out
X	X	Red	Lit on	Head up
X	X	Red	Slow flash	Out of Paper
X	X	Red	Quick flash	Abnormal label calibration
Orange	Lit on	X	X	Out of ready
Orange	Quick flash	X	X	Data is written on flash
X	X	Orange	Slow flash	Paper Jam or Paper's positioning is abnormal
X	X	Green	Lit on	Printing
X	X	Green	Slow flash	Pause of printing
X	X	Green	Quick flash	Receiving data

Quickly Flash: 0.1 seconds on/off cycle

Slowly Flash: 0.5 sec light/off cycle

## 3.6 Basic Operation

### 3.6.1 Power on/power off

Press “O” to power off the printer. Press “I” to power on the printer.

### 3.6.2 Feed Button

In the Ready State:

Press the Feed button (approx 0.5 seconds) and release it before the Blue Light short off. The printer will print out a blank label about 30mm in the continuous paper mode; in other mode, it will print out a whole blank label (more than 30mm).

In the Ready State:

Press the Feed button (approx 1.5 seconds) until the Blue Light short off for the first time and release the button. The printer starts printing self-test page.

In the Ready State:

Press the Feed button (approx 3 seconds) until the Blue Light short off for the second time and release the button. The printer will do the label learning in the order of Seam Label and Black Label. While the label is learning, the printer will automatically default to the thermal or thermal transfer printing mode according to the result of actual ribbon detection.

Once the Seam Label learning success, the printer will automatically default to Seam Label. Otherwise automatically be changed to Black Label learning. Once the Black Label learning success, the printer will automatically default to Black Label. When both learnings are unsuccessful, the default is continuous paper.

In the Printing State

Briefly press the Feed button (approx 0.5 seconds) and release it, the printing will be paused.

In the Pause State:

Briefly press the Feed button (approx 0.5 seconds) and release it, the printing will continue to working.



When the printer is turned on:

Firstly, hold the Feed button, then release it until the blue light is short off for the first time. The printer starts printing the self-test page.

Secondly, hold the Feed button, then release it until the blue light is short off for the second time. The printer will do the label learning in the order of Seam Label and Black Label. While the label is learning, the printer will automatically default to the thermal or thermal transfer printing mode according to the result of actual ribbon detection.

Once the Seam Label learning success, the printer will automatically default to Seam Label. Otherwise automatically be changed to Black Label learning. Once the Black Label learning success, the printer will automatically default to Black Label. When both learnings are unsuccessful, the default is continuous paper.

### 3.6.3 Quick Calibration



**Note: Users must carry out the calibration under the conditions below:**

- The first time to use the printer since installation;
- The first time to use the printer since sensor cleaning;
- Reuse the printer when it has not been used for a long time;
- Change a new type of media;
- Printer cannot recognize the mark;
- Huge change of the operating environment;

#### Calibration method:

##### 1. Carry out the calibration manually.

① Press the Feed button (approx 3 seconds) until the Blue Light short off for the second time and release the button. The printer will do the label learning in the order of Seam Label and Black Label. While the label is learning, the printer will automatically default to the thermal or thermal transfer printing mode according to the result of actual ribbon detection.

② Once the Seam Label learning success, the printer will automatically default to Seam Label. Otherwise automatically be changed to Black Label learning. Once the Black Label learning success, the printer will automatically default to Black Label. When both learnings are unsuccessful, the default is continuous paper.

③ Firstly, hold the Feed button, then release it until the blue light is short off for the first time. The printer starts printing the self-test page.

Secondly, hold the Feed button, then release it until the blue light is short off for the second time. The printer will do the label learning in the order of Seam Label and Black Label. While the label is learning, the printer will automatically default to the thermal or thermal transfer printing mode according to the result of actual ribbon detection.

④ Once the Seam Label learning success, the printer will automatically default to Seam Label. Otherwise automatically be changed to Black Label learning. Once the Black Label learning success, the printer will automatically default to Black Label. When both learnings are unsuccessful, the default is continuous paper.

## 2. Manual positioning learning after cover closing:

① After the cover is closed, it will enter the "Pause printing" state. Then short press the Feed button to position to the next label, or start printing; or long press the paper key to do label learning

② When the printer is in the mode of Seam Label. If the Seam Label be changed into Black Label, the printer will be in the state of pause after the cover is closed. At this time, it needs to be long press the Feed button for label learning.

③ When the printer is in the mode of Black Label. If the Label be changed into Continuous Label, the printer will be in the state of pause after the cover is closed. At this time, it needs to be long press the Feed button for label learning.



**Note:**

If you want to replace the current use of the type of paper roll (Seam Label/Black Label/Continuous Label), you need to press the Feed button to do automatically label learning. However, if you replace the same type of paper roll you are currently using, short press the Feed button to cancel the "Pause printing" status, the printer will automatically position the next label or start printing directly.



**Note:** After the calibration, users could open the printer cover to pull back the learned paper in avoid of paper wasting.

### 3.6.4 Printing Self-test Page

The self-test checks the printer's current settings, status and whether the printer has any problems or not.

#### 1. Printing Manually

- 1) Make sure the roll is loaded properly.
- 2) Make sure the top cover and mechanism of the printer are closed properly. Then turn on the printer.
- 3) When the printer is ready, press the feed button continuously. As soon as the indicator flashes (green) once, loosen the button. Then the printer starts to print the self-test page.

#### 2. Printing by Windows Driver Program

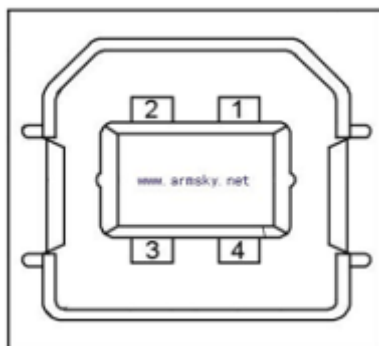
- 1) Install the Windows Driver program.
- 2) Please set the "Interface" as the type you use.
- 3) Use the Windows Driver Program to print out the "Self-test page".
- 4) Please refer to "Chapter 7 Seagull Windows Driver Instructions" for more detailed information.

#### 3. Printing by HPRT BarTender Ultralite Program

- 1) Install the HPRT BarTender Ultralite program.
- 2) Edit a new label and print it.
- 3) Please refer to "Chapter 8 BarTender® Ultralite Instructions" for more detailed information.

## Chapter 4 Interface

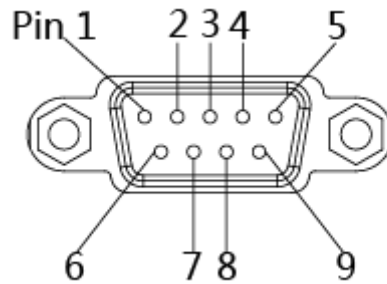
### 4.1 USB Interface



PIN	SIGNAL NAME
1	VBUS
2	D-
3	D+
4	GND

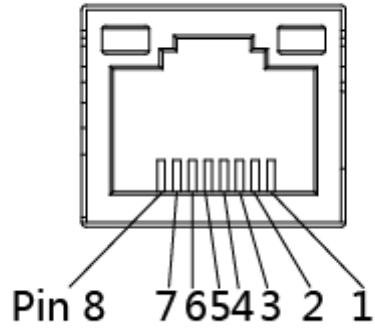
## 4.2 Other Optional Interfaces

### ■ Serial Port



PIN	SIGNAL NAME
1	+5VDC
2	TXD
3	RXD
4	-
5	GND
6	RTS
7	CTS
8	RTS
9	-

■ Ethernet Port



PIN	SIGNAL NAME
1	TX+
2	TX-
3	RX+
4	-
5	-
6	RX-
7	-
8	-

## Chapter 5 Maintenance & Adjustment

Adhesives and coatings of the media can transfer to the printer parts over time along the media path including the thermal print head and media sensor. This build-up can accumulate dust and debris. Failure to clean the print head, media path, and media sensor could result in inadvertent loss of labels, label jams and possible damage to the printer.



### Note:

- Make sure to turn off the printer prior to cleaning.
- As the print head gets hot during printing, if intending to clean the print head, turn the printer off and wait approximately 2~3 minute before commencement.
- When cleaning the print head, take care not to touch the heated portion of the print head. Print Head is susceptible to damage from static electricity, etc. So it is strongly recommended to wear hand gloves during cleaning progress.
- Take care not to allow the print head become scratched and/or damaged in any way.

### 5.1 Cleaning Media Sensor

Debris or dirt on the paper sensor can cause a miss-read or unstable detection of the label gap. Clean with a cotton bud dampened with alcohol.

### 5.2 Cleaning Thermal Print Head

Thermal Paper stock on the print head, which degrades print quality. Clean the print head with methanol or isopropyl alcohol and a cotton bud. Do not touch the heating elements with your fingers.

- 1) Open the Printer Cover and then use the cleaning pen to clean the head in the direction from the center of the head to two sides.
- 2) After cleaning the head, do not use the printer until the alcohol used for cleaning evaporates completely (1~2 min) and the printer has completely dried.
- 3) Perform the cleaning process each time the paper roll is replaced to prevent print quality deterioration.



## 5.3 Cleaning Roller and/or Paper Path

- 1) Open the printer cover and then remove the paper.
- 2) Remove any dust or foreign substance using dry cloth or cotton swab.
- 3) Soak the cloth or cotton swab in alcohol for medical use and use it to remove adhesive foreign substances or other pollution materials.
- 4) After cleaning the parts, do not use the printer until the alcohol evaporates completely (1~2 min) and the printer has completely dried



**Note: Clean the parts when print's quality or label detection degrades.**

## Chapter 6 Label Printer Utility Instructions

### 6.1 Installation Preparation

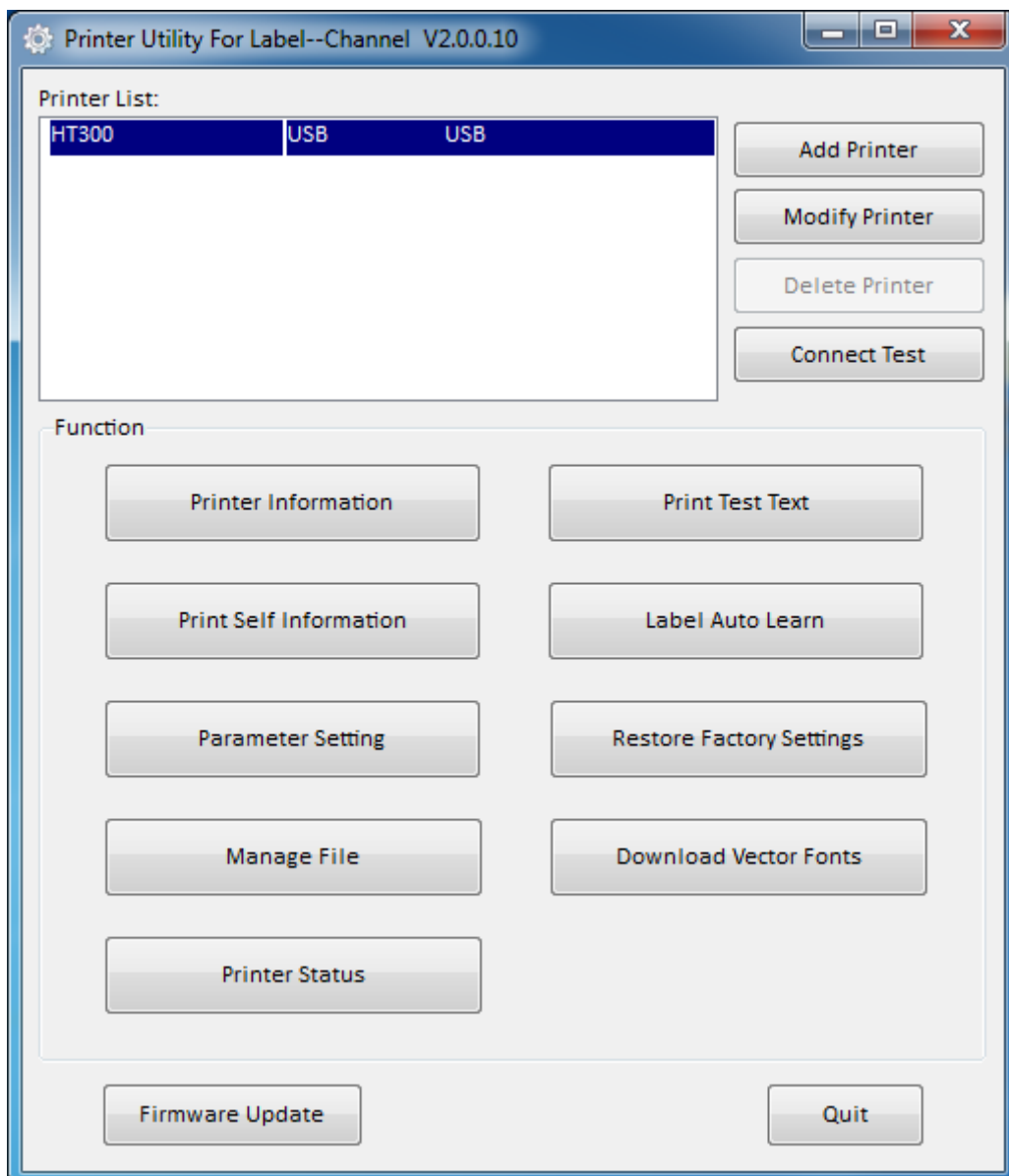
Download HPRTUtilityLabel application program in CD.eg:HPRTUtilityForLabel\_Channel V2.0.0.10.

### 6.2 Usage



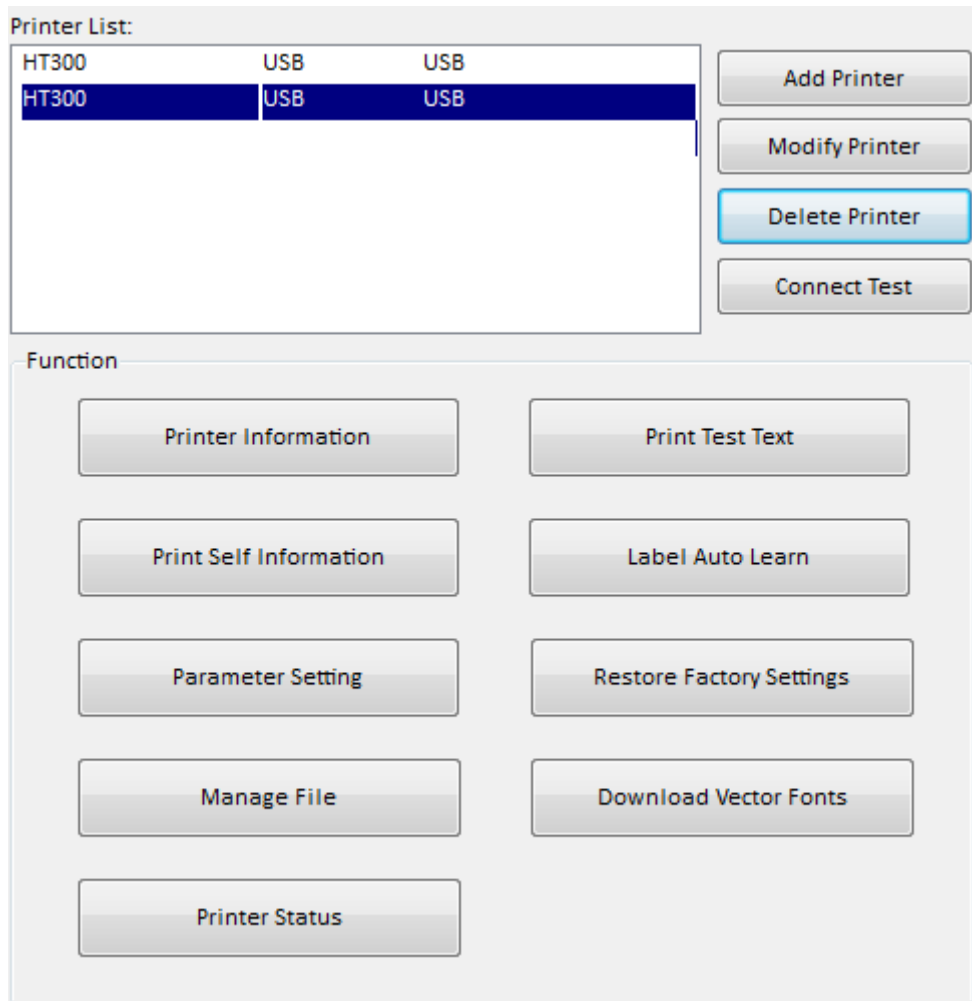
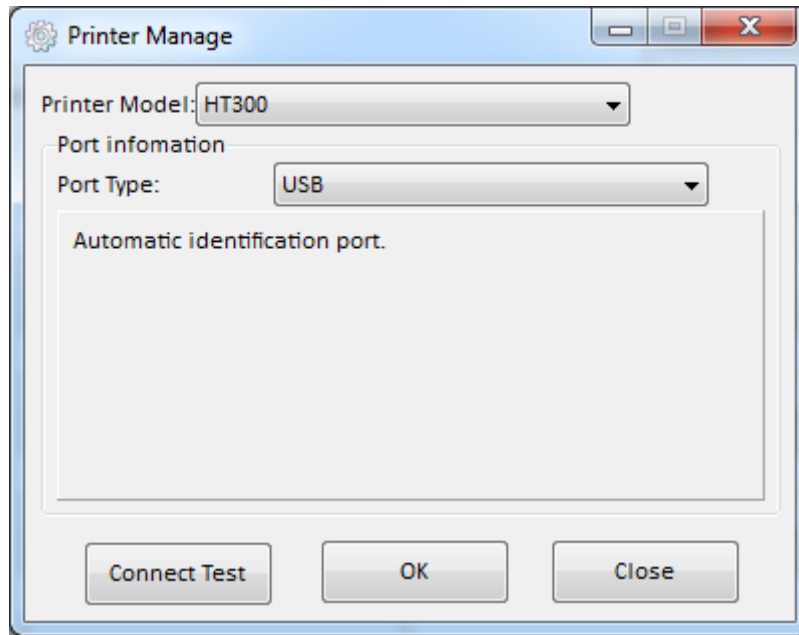
**Note:** The screen may vary slightly by different operating systems and models.

1. Download software in CD.
2. Then open the software.

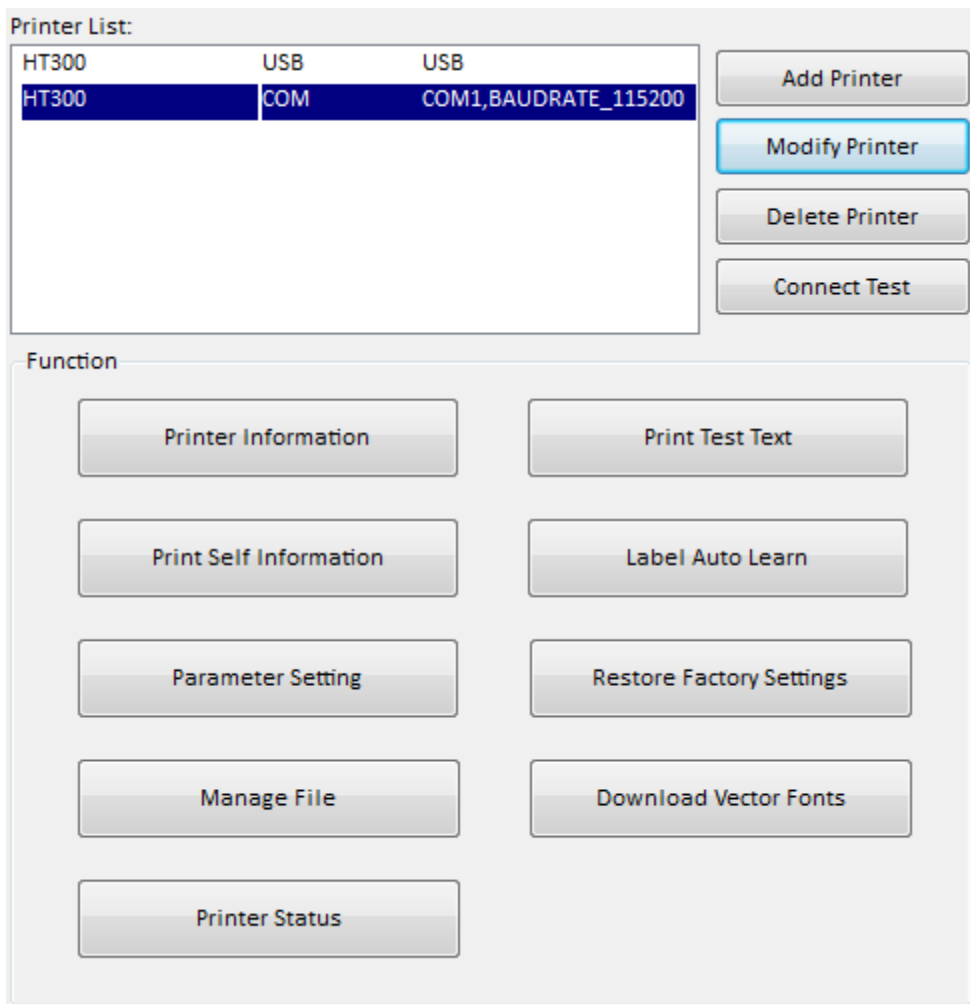
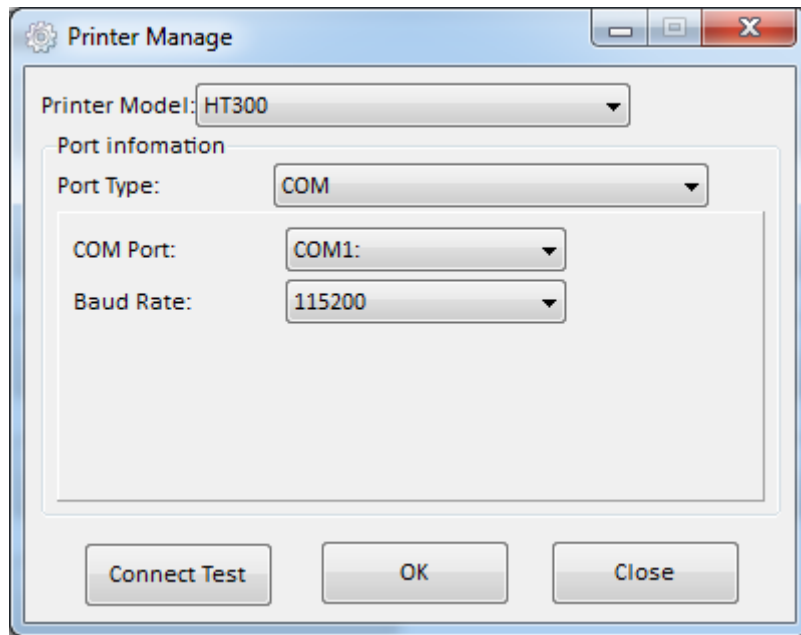


3. Add/Modify/Delete Printer, Connect Test.

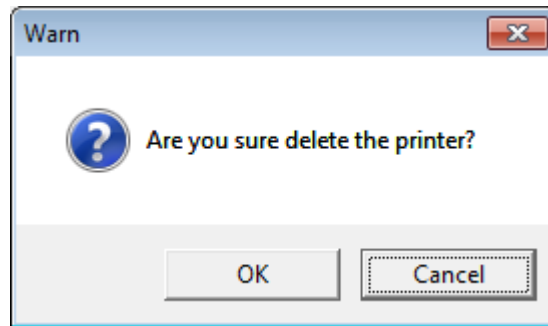
- Click “Add Printer”. Choose the printer and port (eg: USB), then click “OK”, showed in “Printer List”.



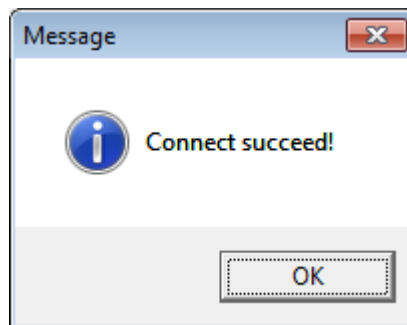
- Click “Modify Printer”. Choose the printer and port (eg: COM1), then click “OK”, showed in “Printer List”.



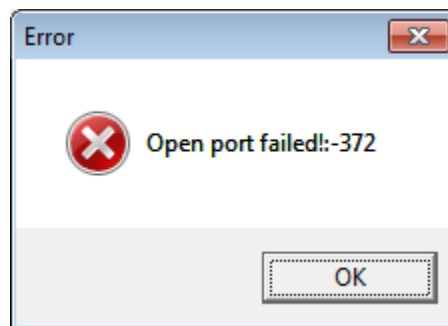
- Click “Delete Printer”. Click “OK” to delete the printer and click “Cancel” to cancel the command.



- Click “Connect Test” to test whether the connection is successful or not. If connection succeeds, it shows as follows.



If connection fails, it shows as follows.

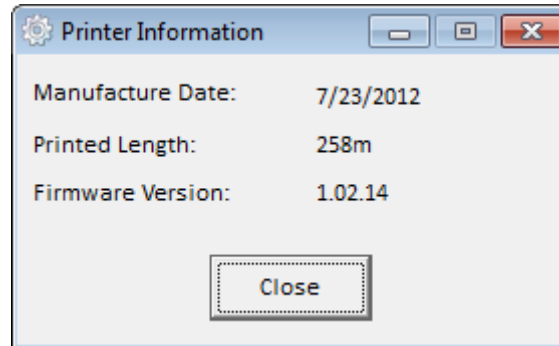


**Note:**

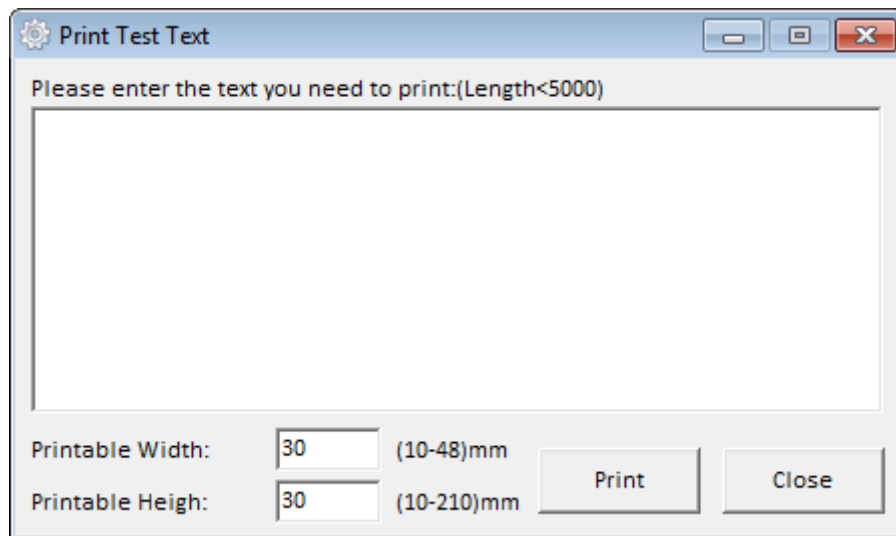
- 1.Connect printer to power first, then choose one port (depended on the printer you bought) to connect to the PC. Much more information of connecting method is contained in “3.3 Peripherals Connection”.
- 2.When connection fails, please check the connection and whether it matches or not. (When USB port is used, it is better to connect one printer only.)

## 4. Function.

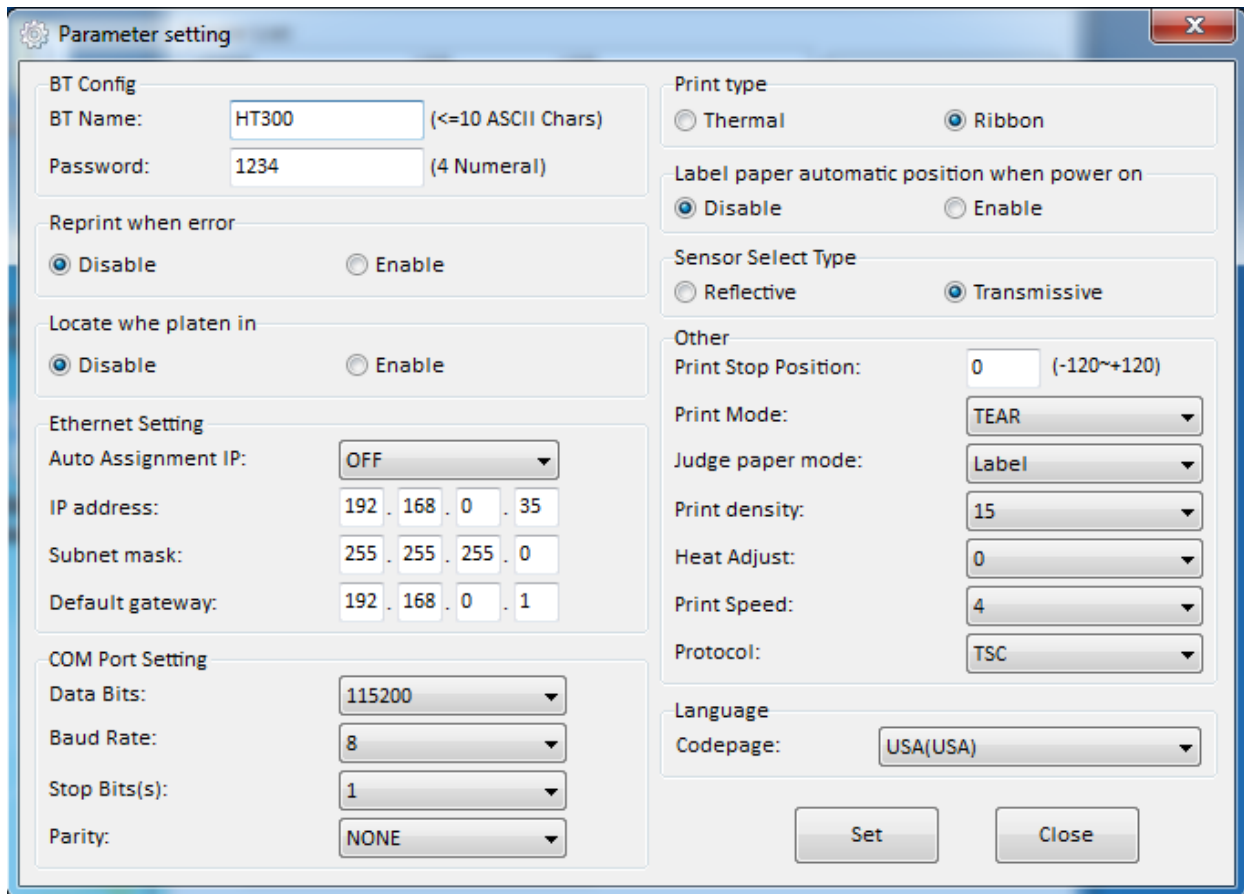
- Click “Printer Information”, showing printer information. (varies by different printers)



- Click “Print Test Text”. Type the text. Click “Print”, then printer starts to print the test text.

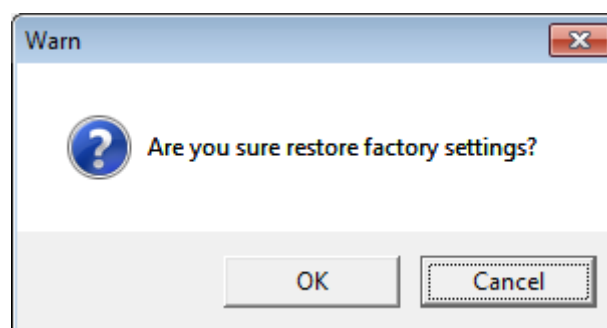


- Click “Parameter Setting”. User can set up the BT config, density, paper mode and so on.

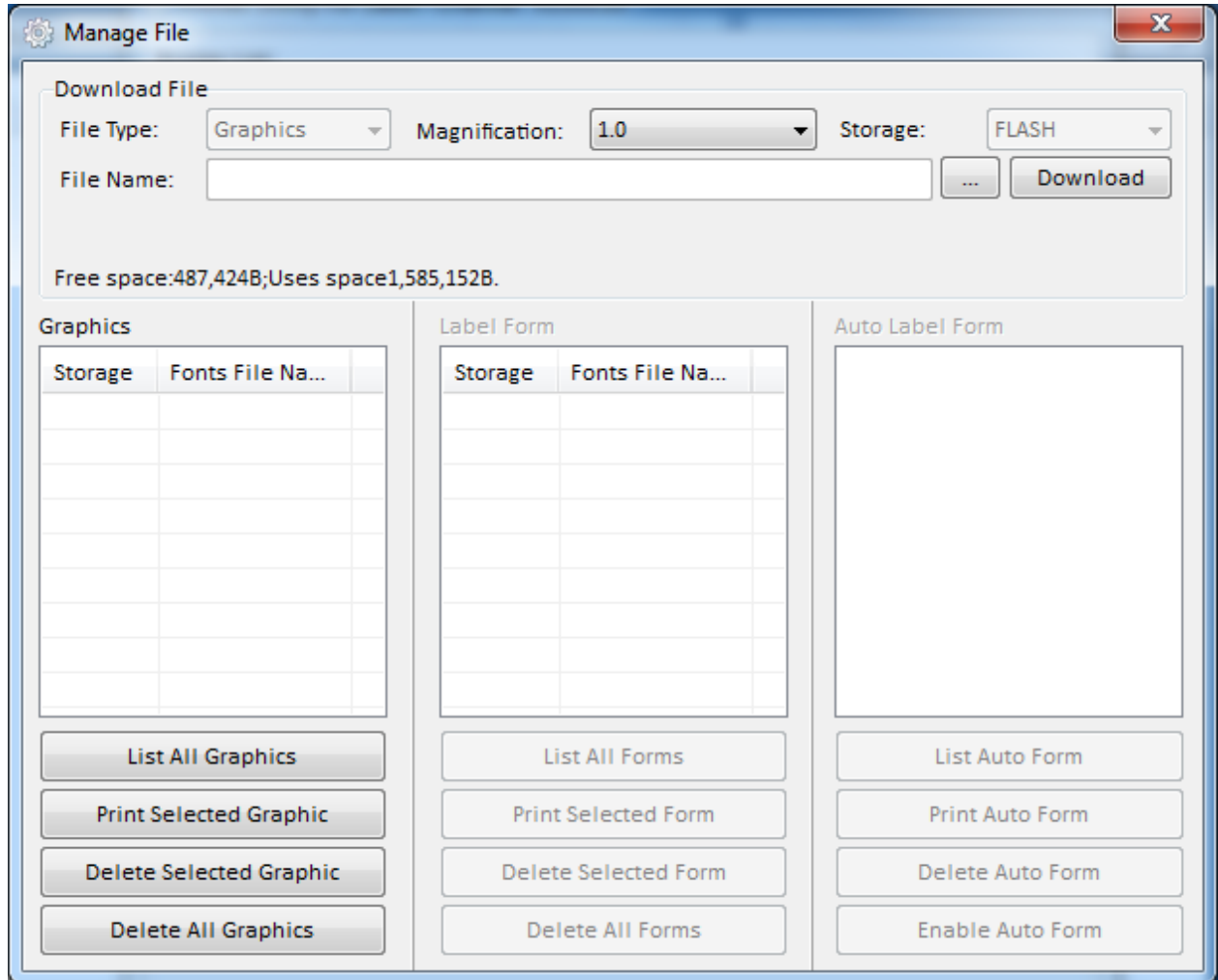


Click “Set” and back to the main menu.

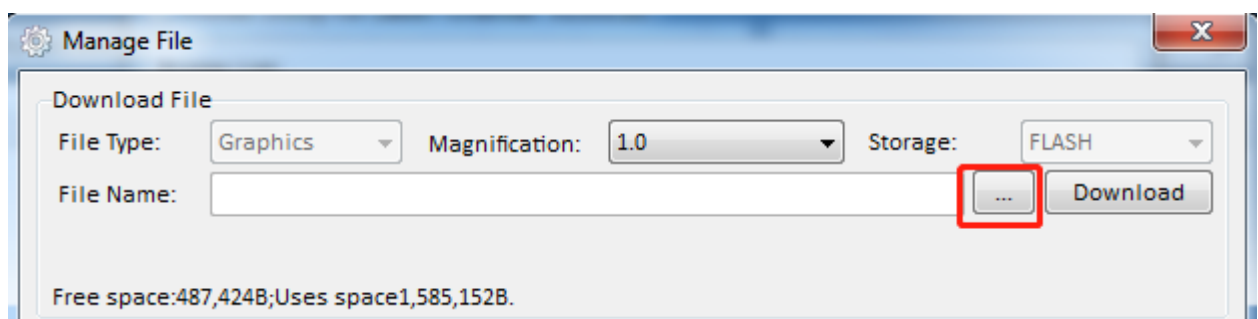
- Click “Restore Factory Settings”. Click “OK” to restore factory settings and click “Cancel” to cancel the command.



- Click "Manage File" to print image.



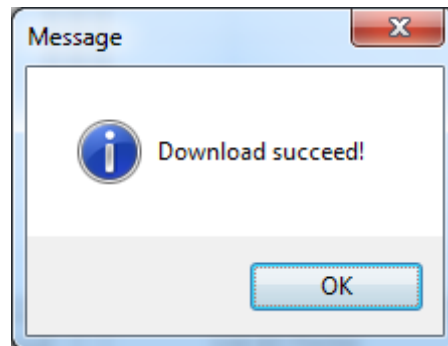
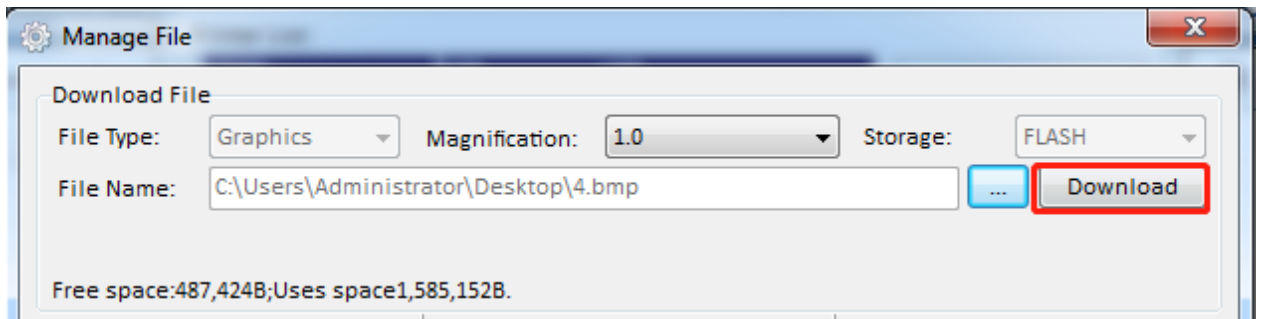
- 1) Click "File name" to select the image.



Note: The file name must be in English or number, and the filename length must be less than 32.



2) Click “Download”.



3) Select the downloaded graphic, and then click “print selected graphic” to print the picture.

**Download File**

File Type: Graphics Magnification: 1.0 Storage: FLASH

File Name: C:\Users\Administrator\Desktop\4.bmp Download

Downloading: 4 KB/4KB.

Free space:487,424B;Uses space1,585,152B.

Storage	Fonts File Na...
FLASH	4.GRF
FLASH	1.GRF

List All Graphics

**Print Selected Graphic**

Delete Selected Graphic

Delete All Graphics

Storage	Fonts File Na...
---------	------------------

List All Forms

Print Selected Form

Delete Selected Form

Delete All Forms

Storage	Fonts File Na...
---------	------------------

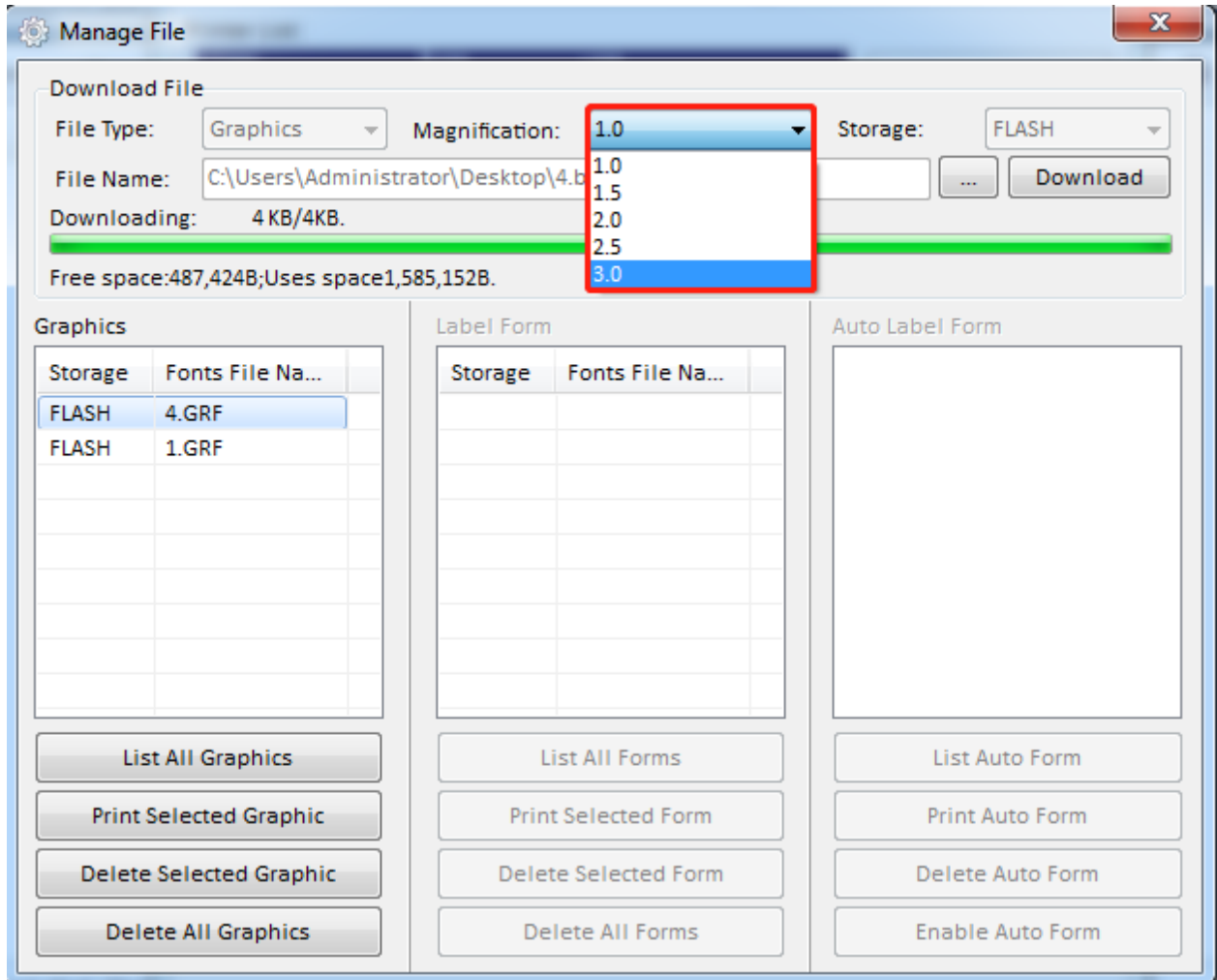
List Auto Form

Print Auto Form

Delete Auto Form

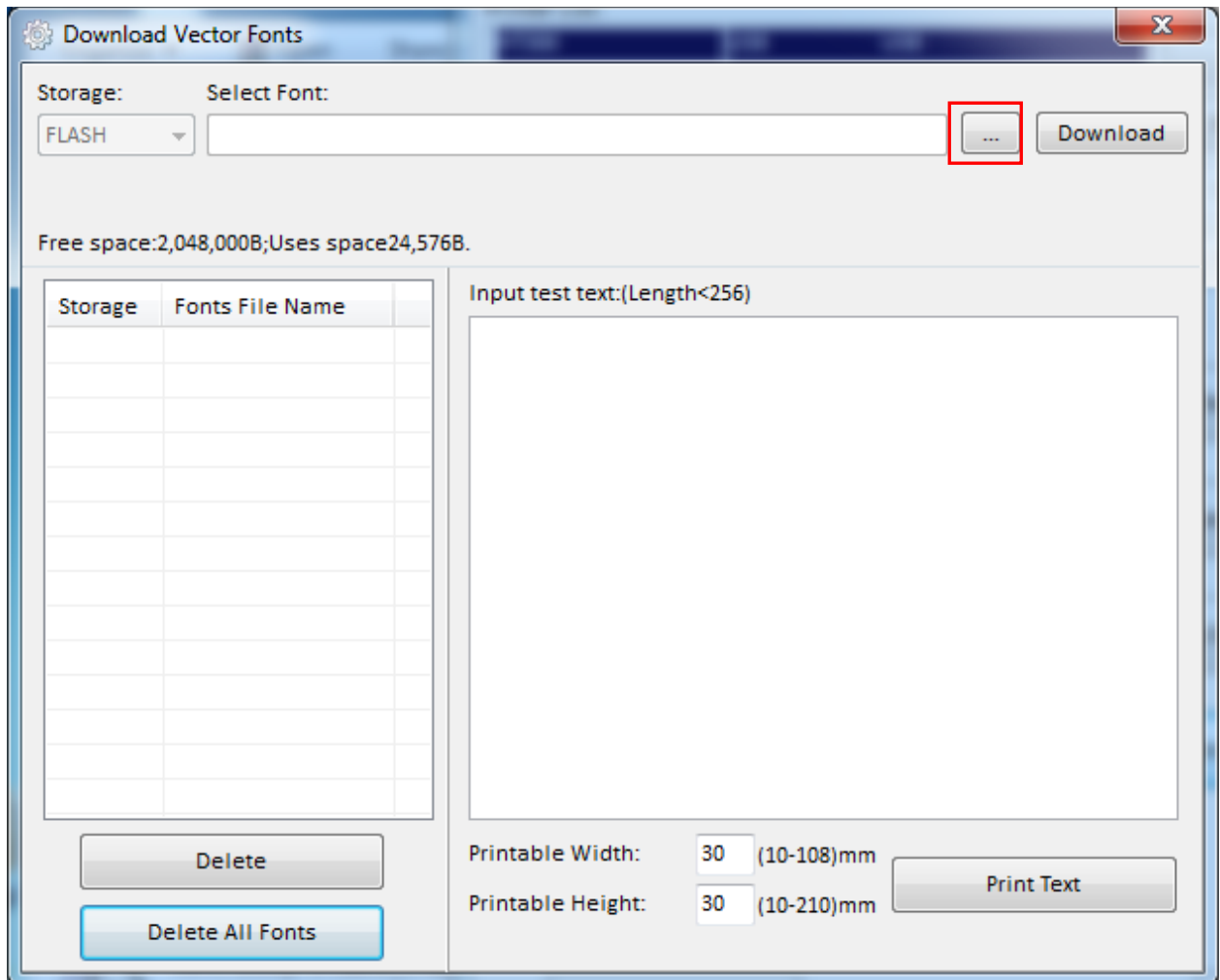
Enable Auto Form

4) You can set a magnification of the graphic as needed.

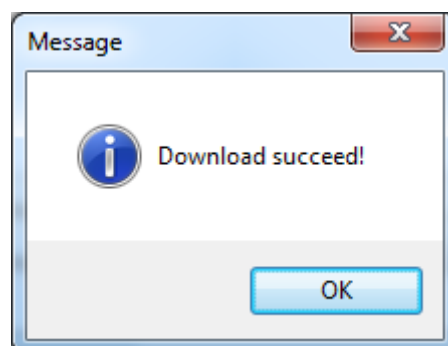
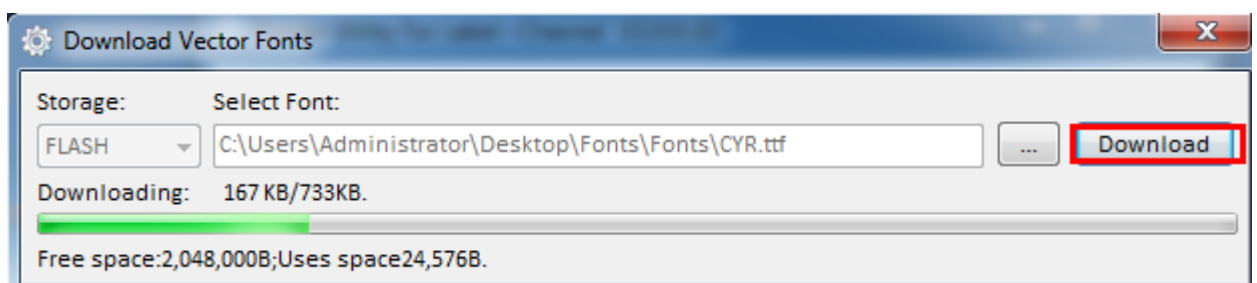


●Click "Download Vector fonts".

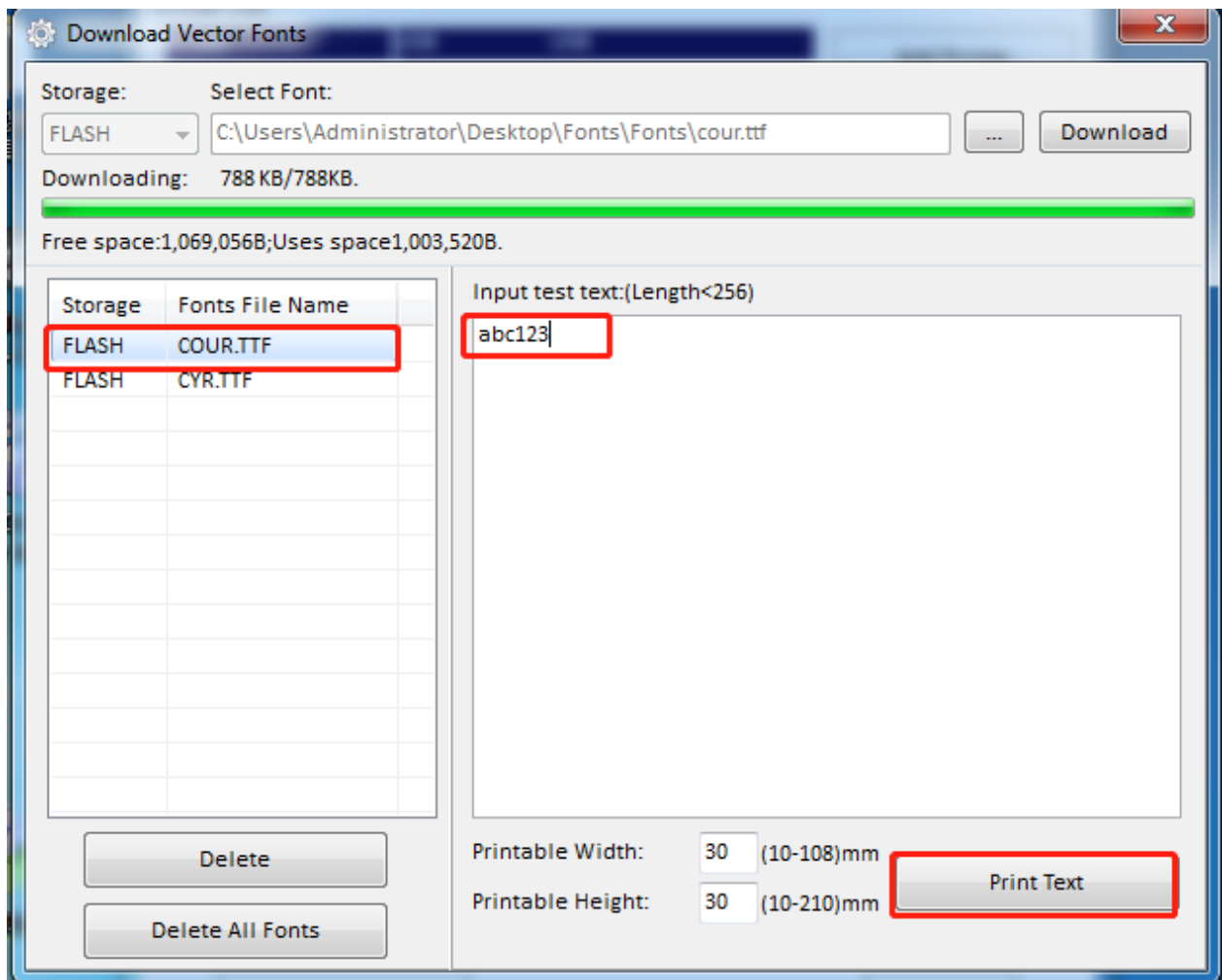
1) Click "Select Font" to select the vector font you want.



2) Click "Download" (Note: The font file name must be in English or number).



3) Select the downloaded font file, enter the print content in the text box, and click “Print Text”.



## Chapter 7 Seagull Windows Driver Instructions

### 7.1 Introduction

The following operating systems are supported:

- Microsoft Windows 10 (32 bit/64 bit)
- Microsoft Windows 8 (32 bit/64 bit)
- Microsoft Windows 7 SPI (32 bit/64 bit)
- Microsoft Windows Vista SP2 (32 bit/64 bit)
- Microsoft Windows Server 2012(64 bit)
- Microsoft Windows Server 2008 R2
- Microsoft Windows Server 2008 SP2(32 bit/64 bit)
- Microsoft Windows Server 2003 R2 SP2(32 bit/64 bit)

### 7.2 Installation Preparation

Download Seagull Windows Driver application program in CD.

## 7.3 Installation



Note:

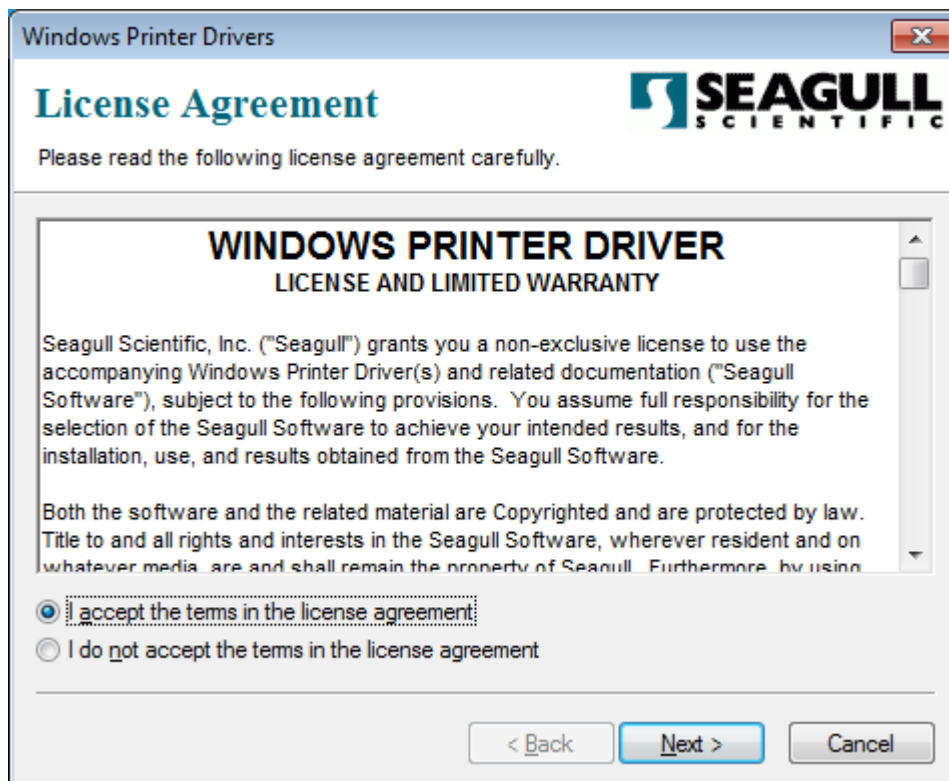
- Under different operating systems, the screen may be slightly different. Take Windows 7 as example.
- Take printer HT300 as example. Please refer to printer HT300 when using printer HT330.
- To avoid the prevention, recommend to close the security software before installation.

1. Select one interface to connect your printer to computer.

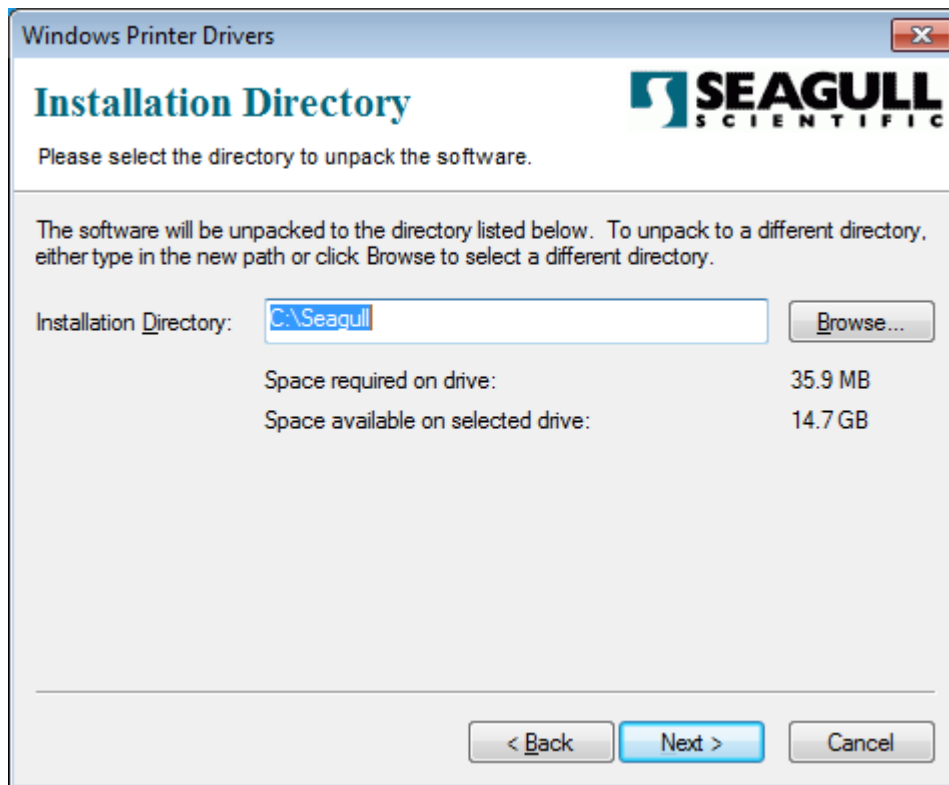
2. Turn on the printer and check if it is connected to computer successfully.

3. Double click Seagull Windows Driver .

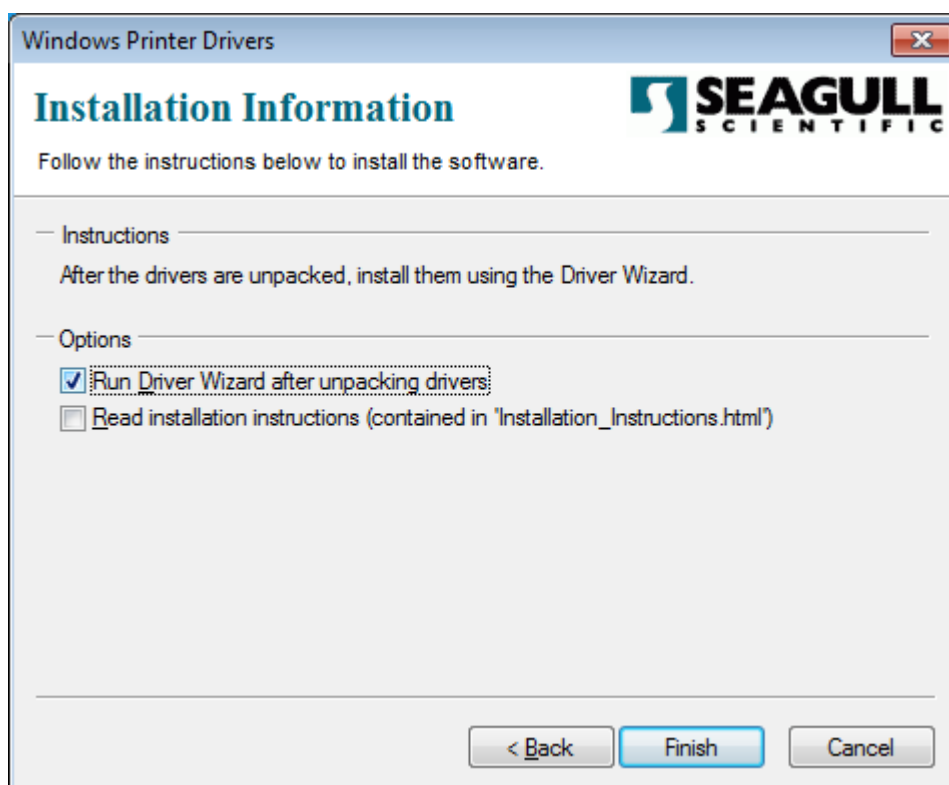
4. Read and agree the license agreement. Then click "Next".



5. Choose the installation directory, then click "Next".



6. Click "Finish".





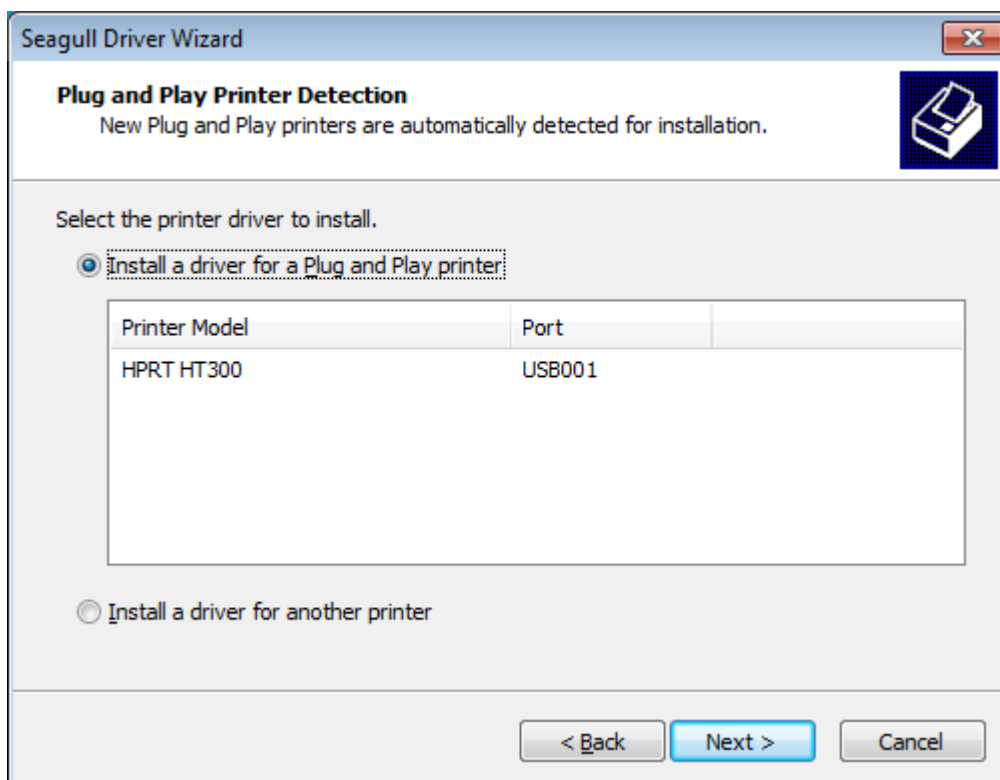
7. Select "Install printer drivers", then click "Next".



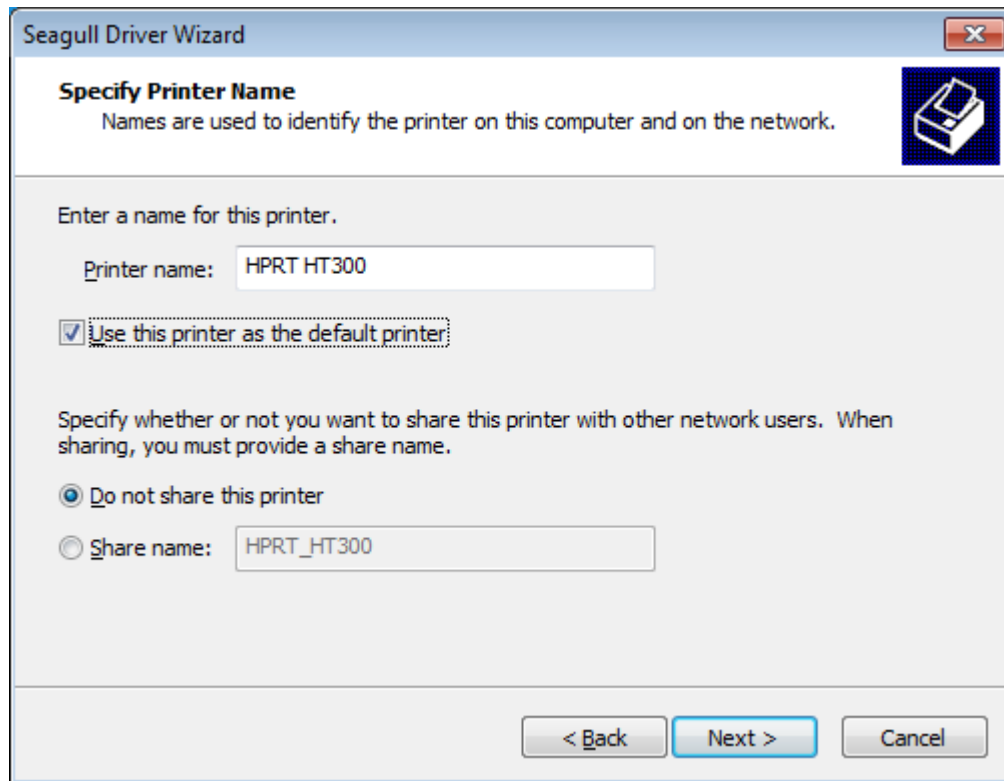
**Note:**

If you have connected the printer to computer, it will detect and install the driver automatically. (eg.: USB port)

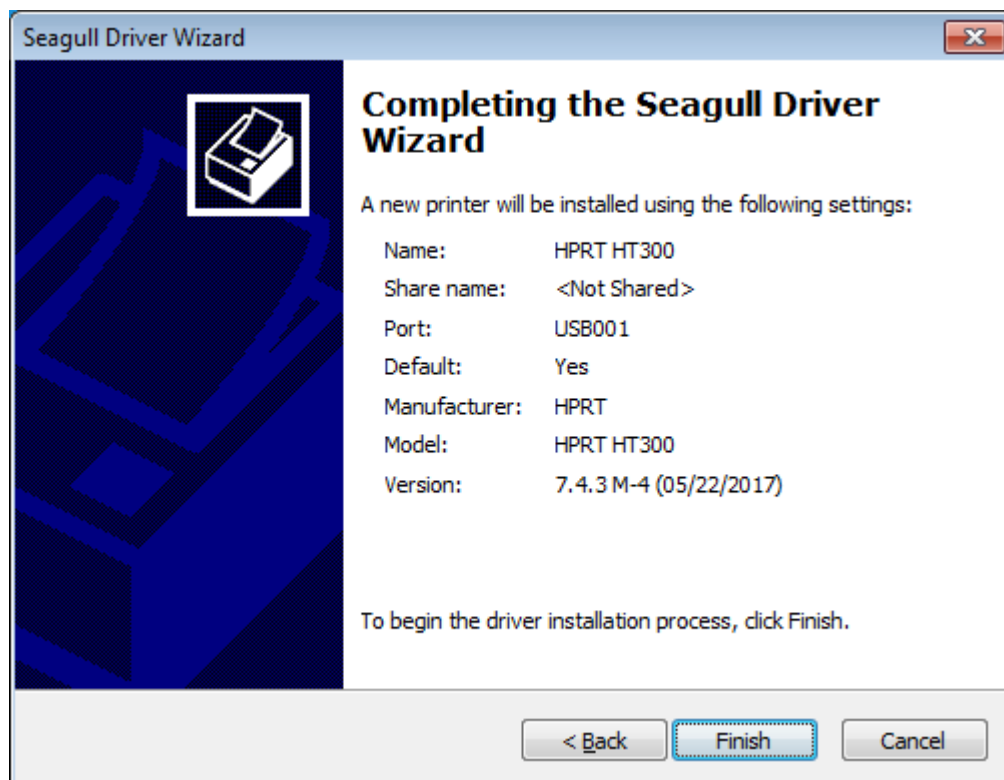
8. Select "Install a driver for a Plug and Play printer", then click "Next".



9. Enter a name for this printer, then click "Next".



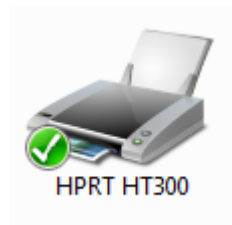
10. Click "Finish".



11. Click "Close", and the printer driver is installed successfully.



12. After installation, the icon will be found in "Start" → "Devices and Printers".



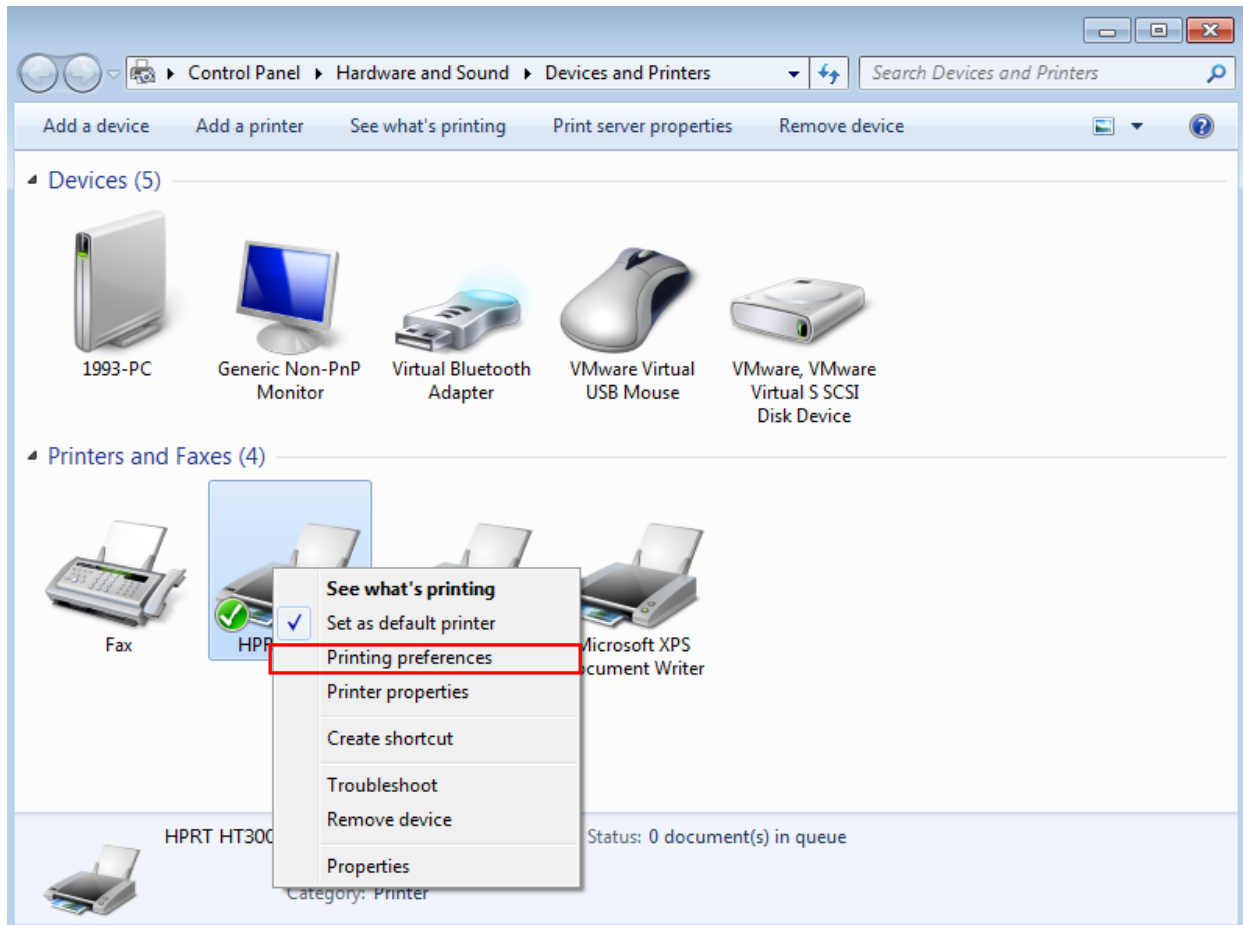
 **Note:**

1. If you have already installed the driver (No matter what kind of ports), it will generate a USB port automatically when connecting the printer to computer.
2. Any problems exist, please use our utility tool in CD.

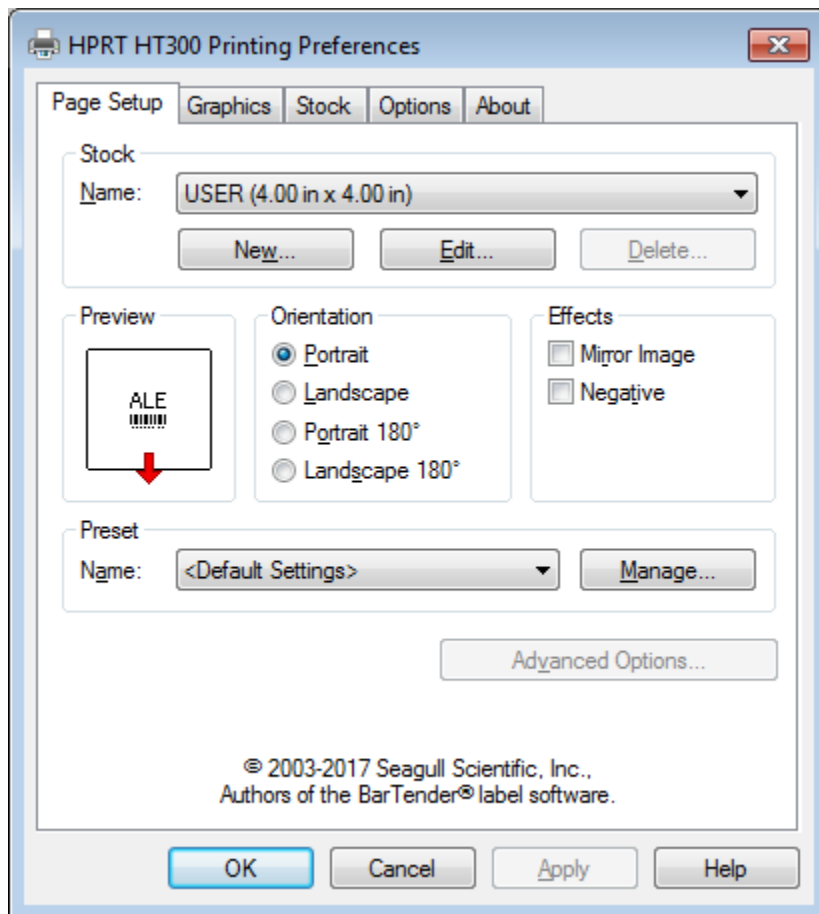
## 7.4 Usage

### 7.4.1 Printing Preferences

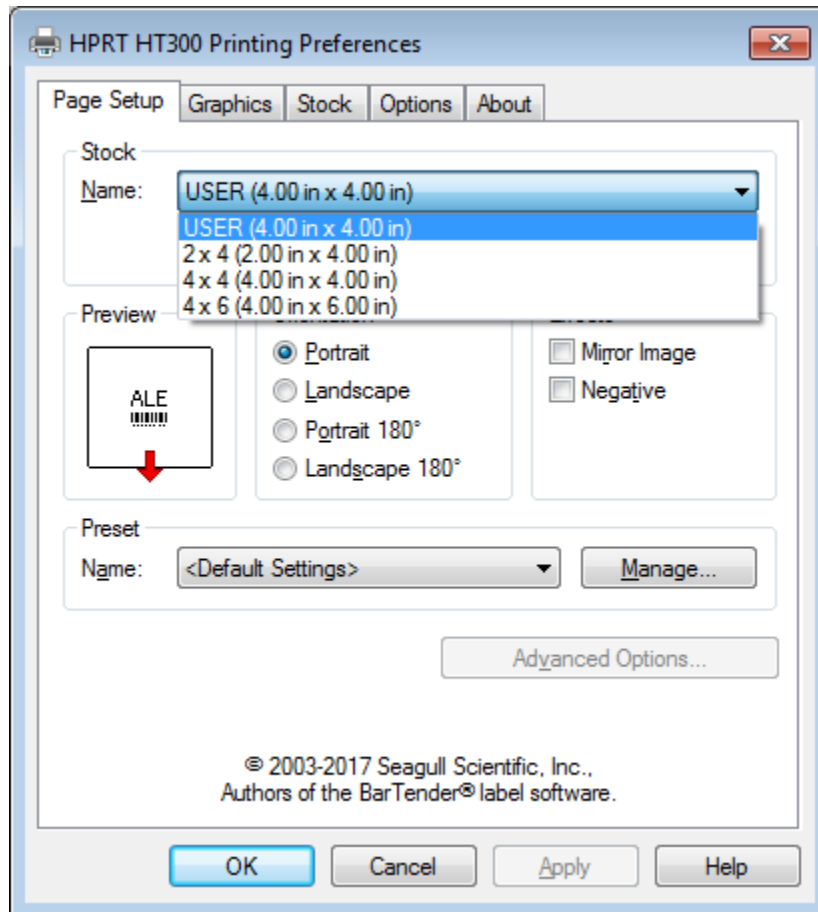
1. Click “Start”→“Devices and Printers”. Right click the icon and choose “Printing preferences”.



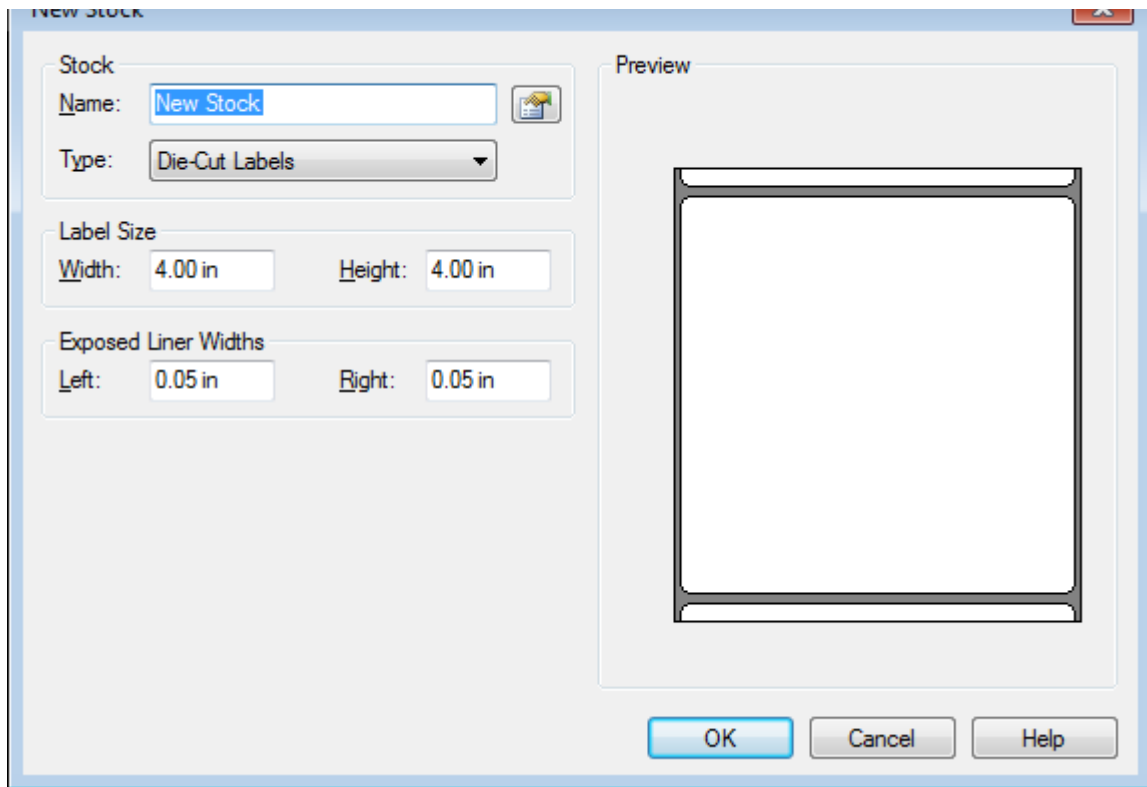
2. According to different needs, set up the page.



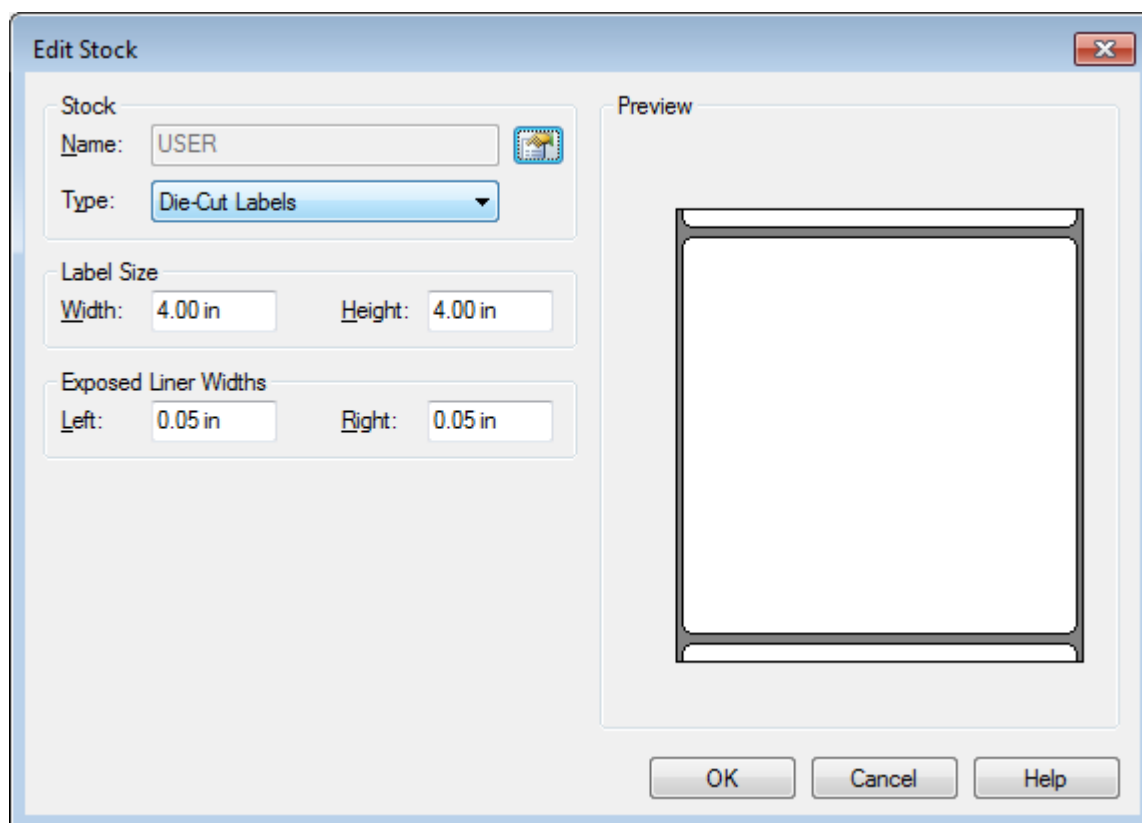
- Click “Stock” →”Name”, and choose the paper type.



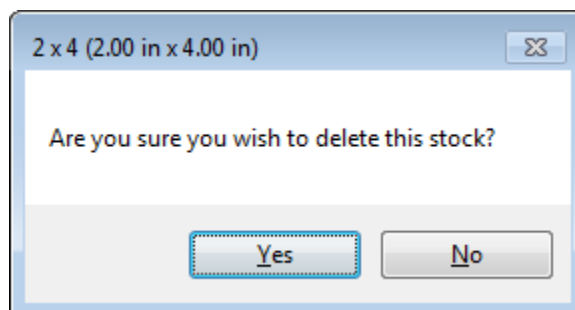
- Click “New Stock”, and set up a new stock.



- Click “Edit Stock”, and edit the stock.



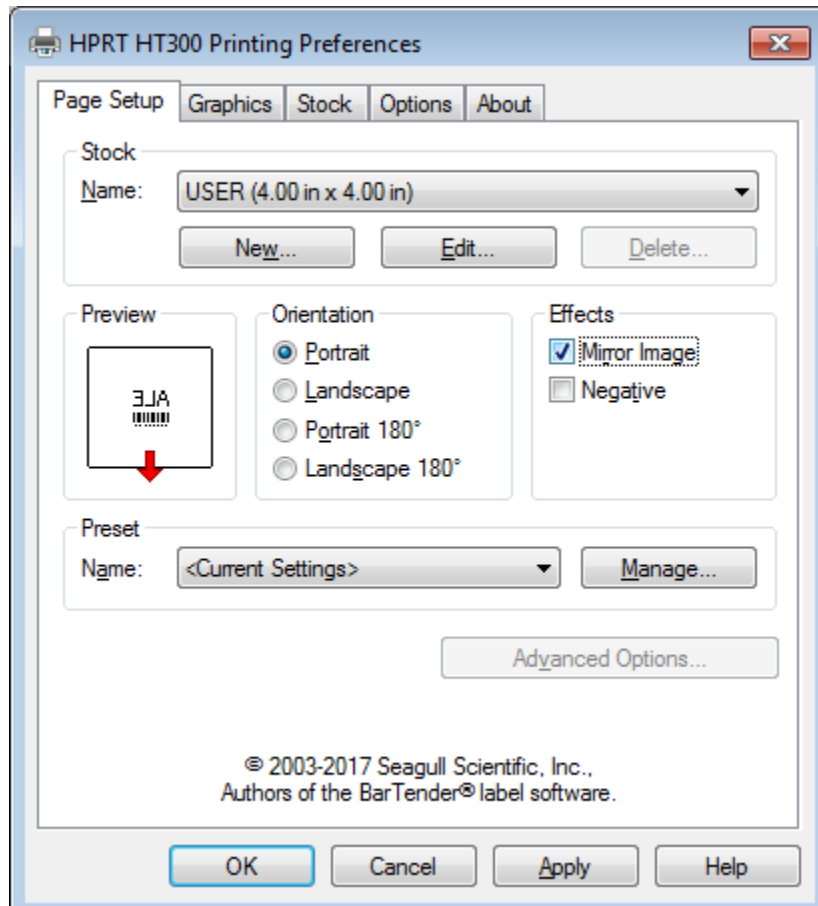
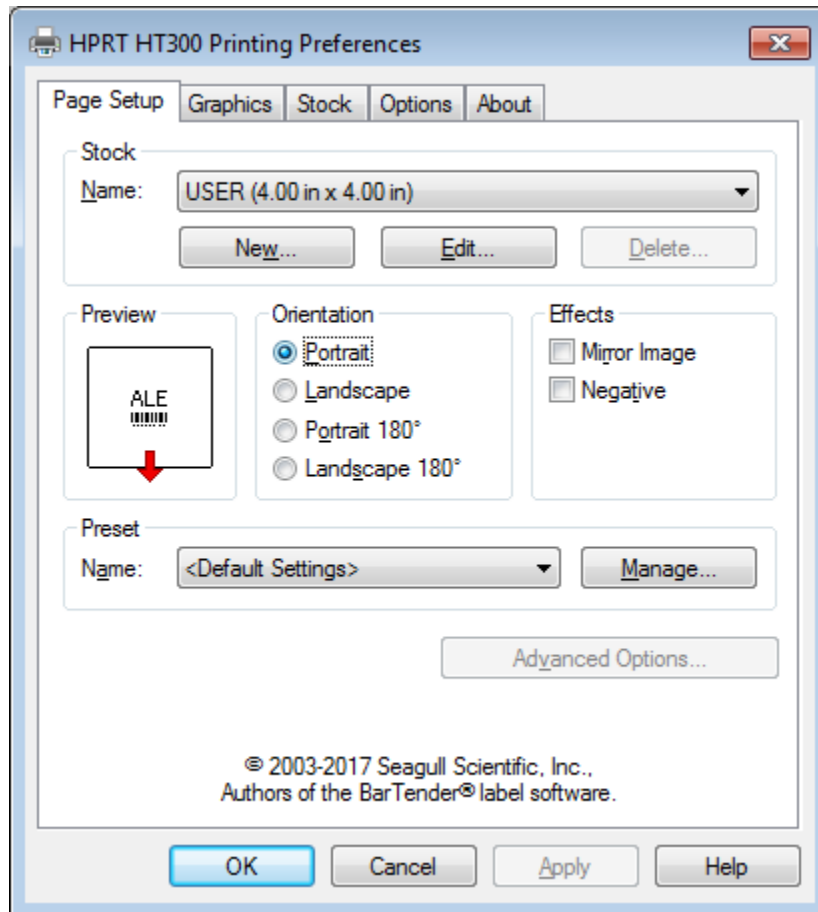
- Click “Delete Stock”, and delete the stock.



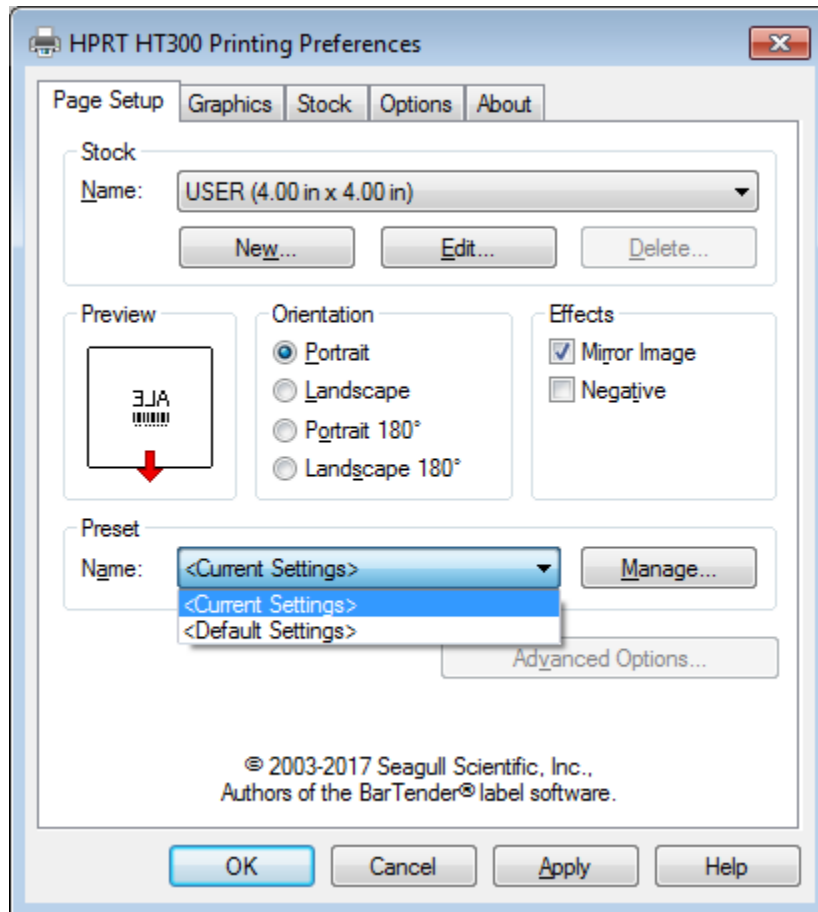




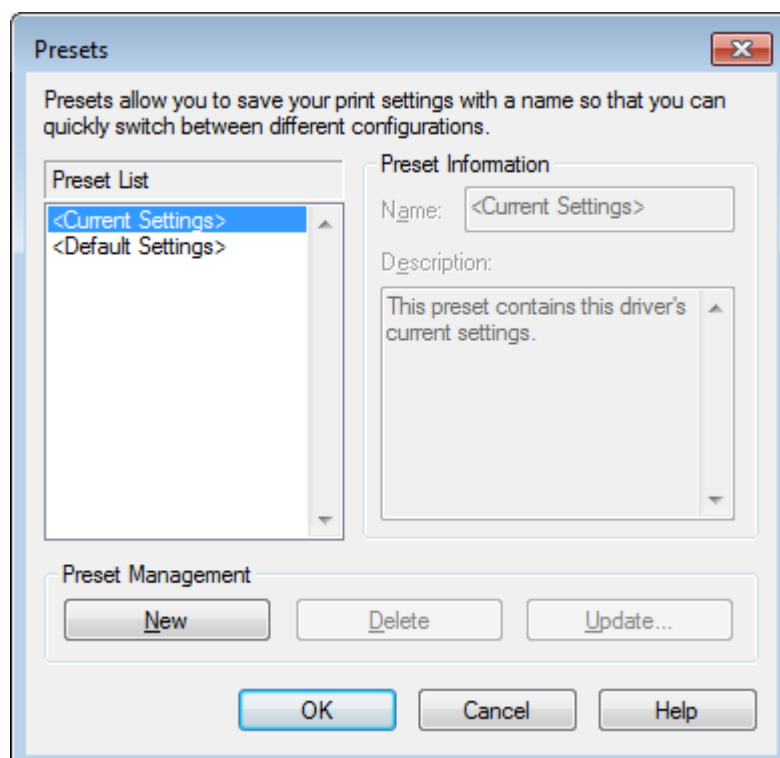
- Choose “Orientation” or “Effects”, showed in the “Preview”.



- Click “Preset”→“Name”, and back to the default settings.

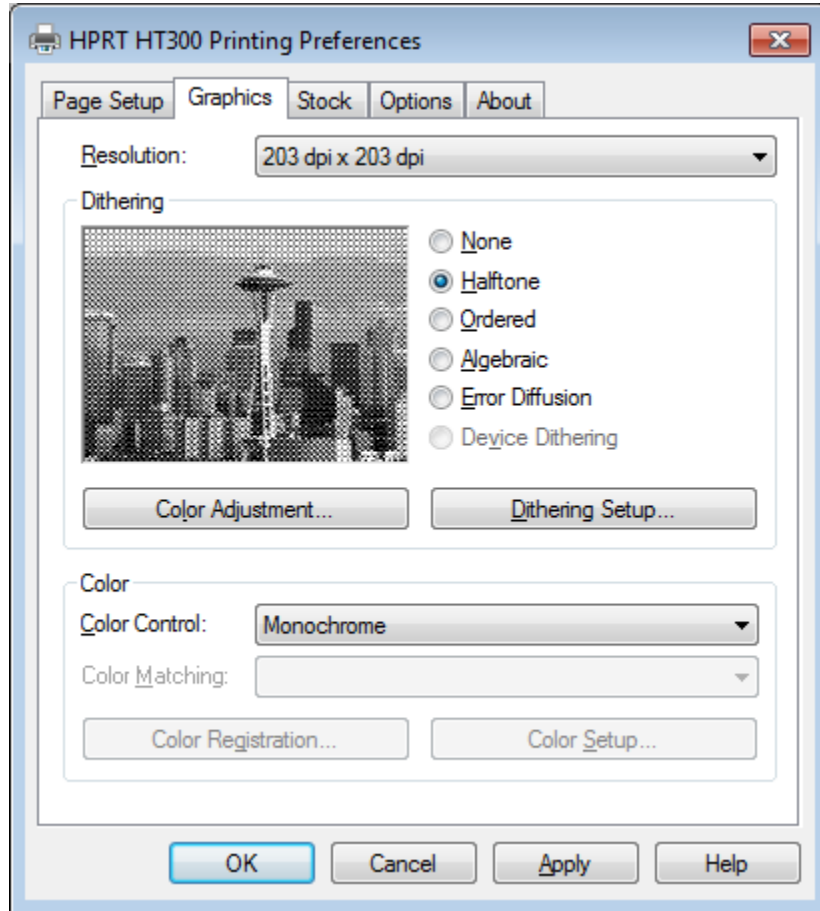


- Click “Manage”, and change the settings.

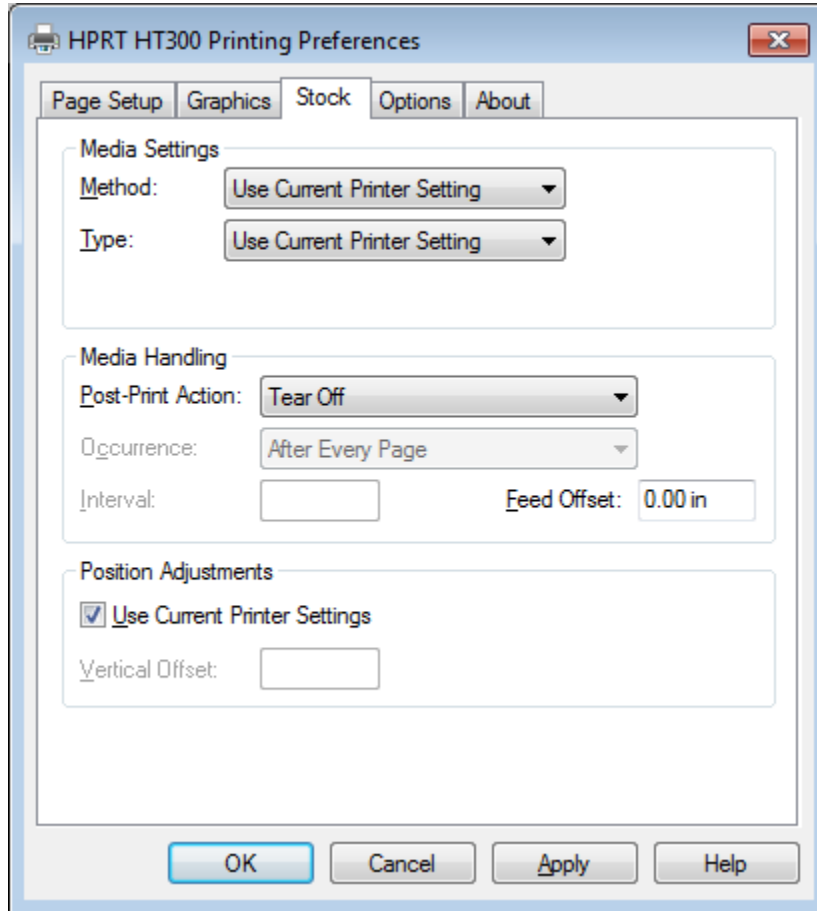




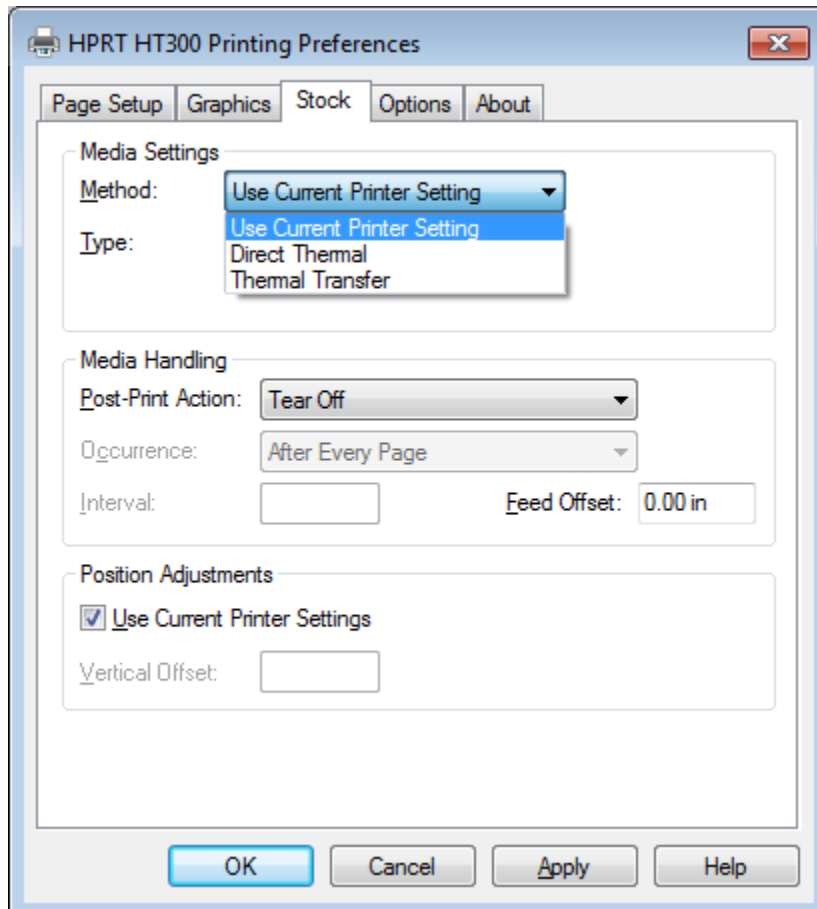
3. Click "Graphics", and edit the pictures.



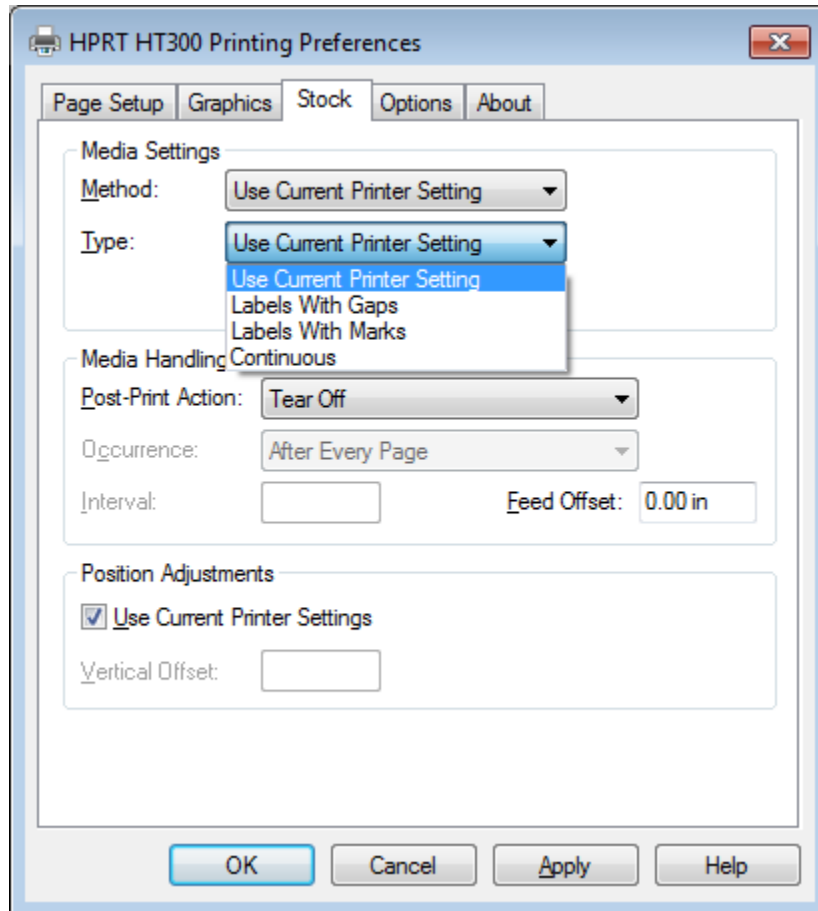
4. Click "Stock".



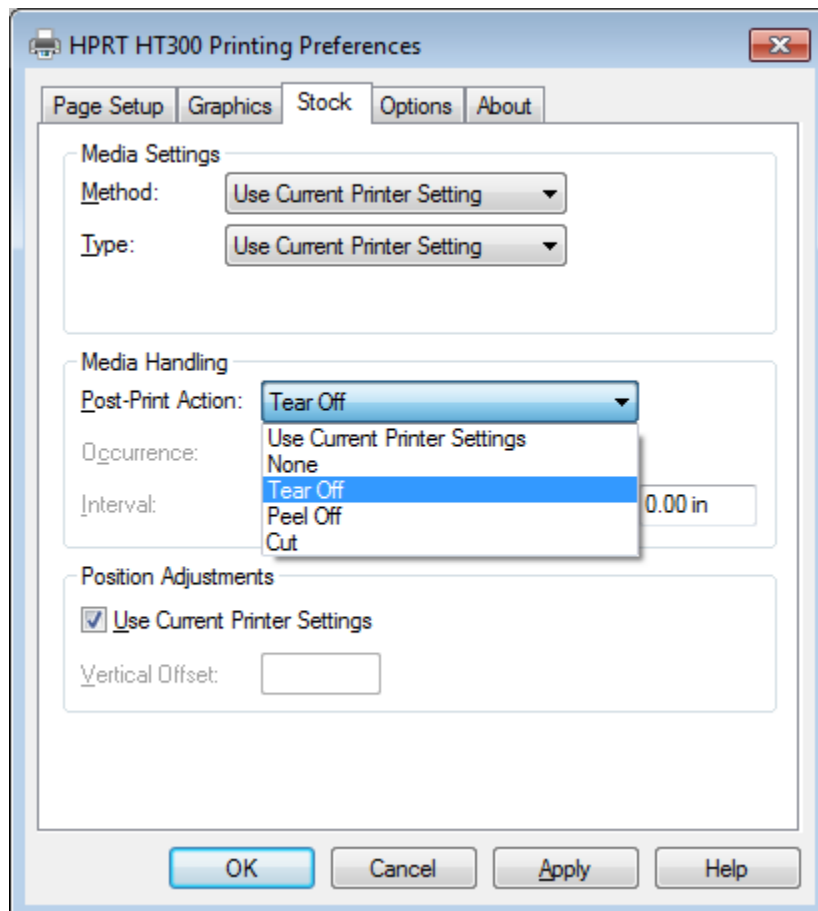
• Click "Method", and choose the printing method.



- Click “Type”, and choose the printing type.

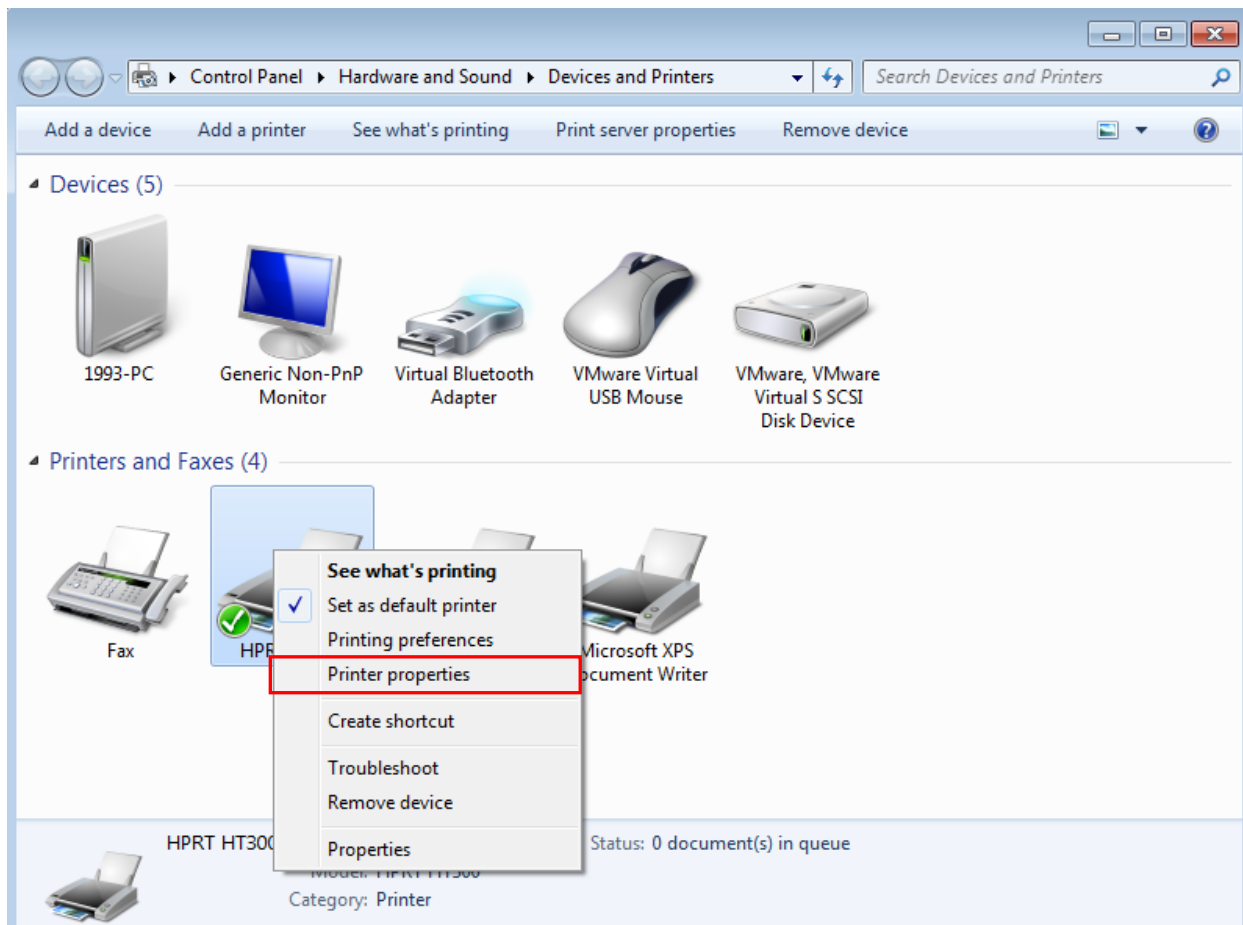


- Click “Post-Print Action”, and choose the method of media handling.



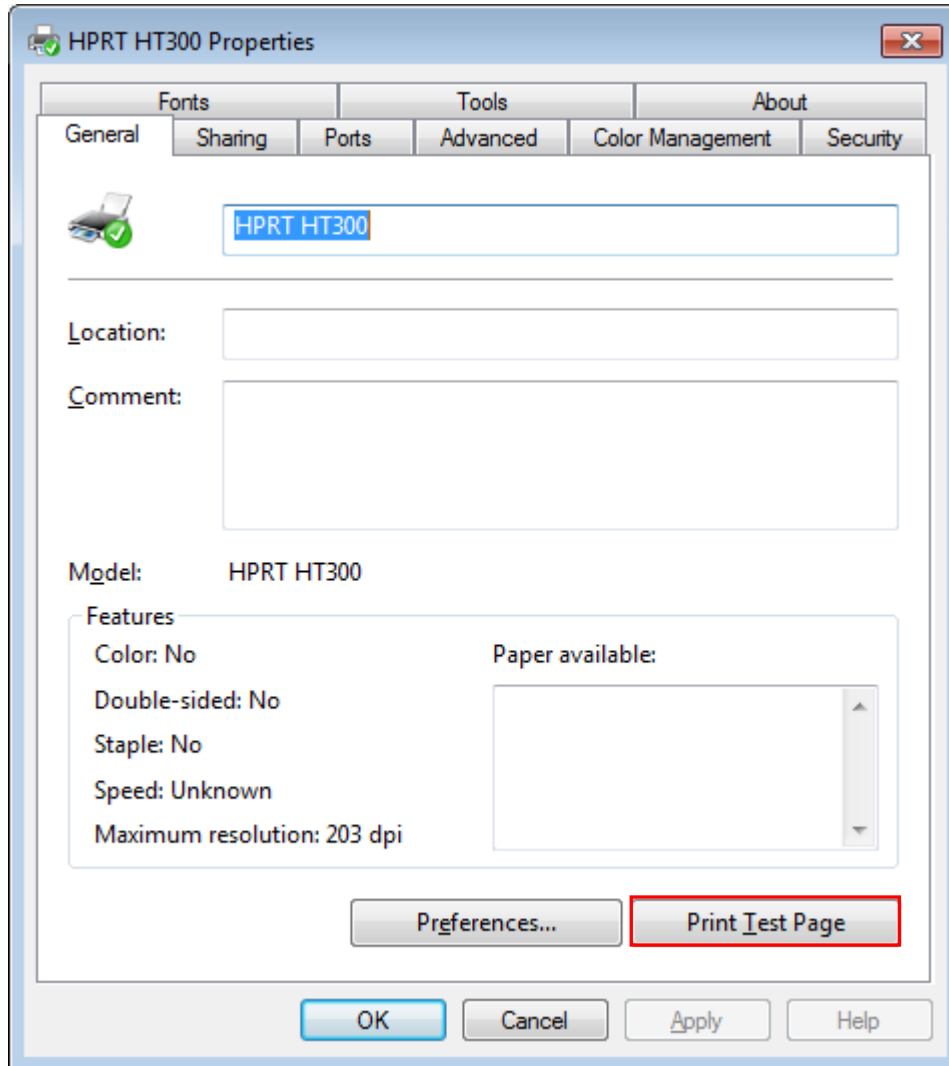
## 7.4.2 Printer Properties

1. Click "Start" → "Devices and Printers". Right click the icon and choose "Printer properties".

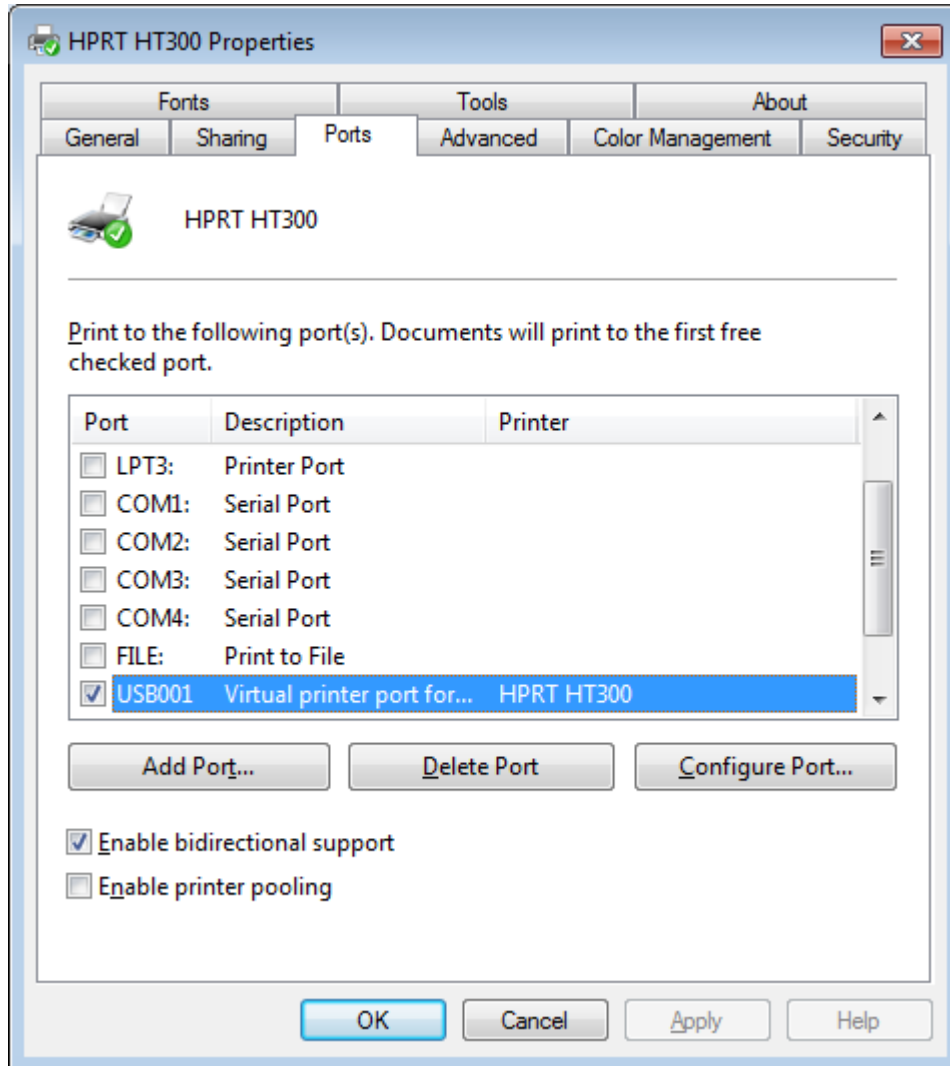




2. Click "General" → "Print Test Page", and printer will print labels with current settings.



3. Click "Ports", then choose the port needed.



### 7.4.3 Label's Width

USER(4.00 in×4.00 in)

2×4(2.00 in×4.00 in)

4×4(4.00 in×4.00 in)

4×6(4.00 in×6.00 in)

## 7.5 Removing

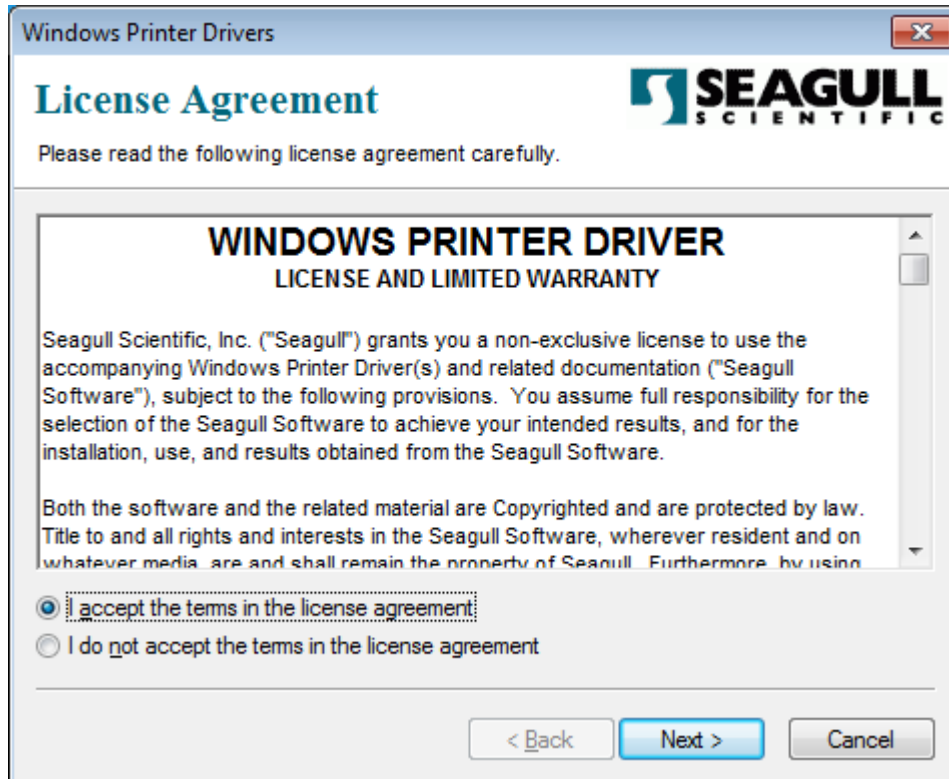


Note:

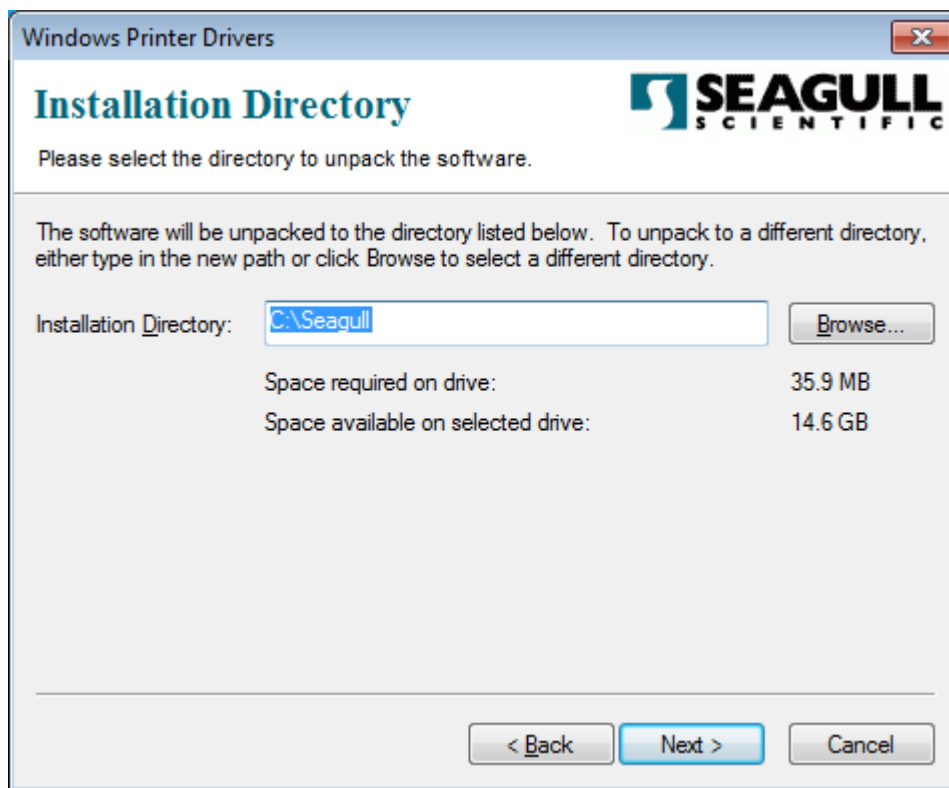
Please turn off the printer or unplug the USB cable before removing the driver.

1. Double click Seagull Windows Driver .

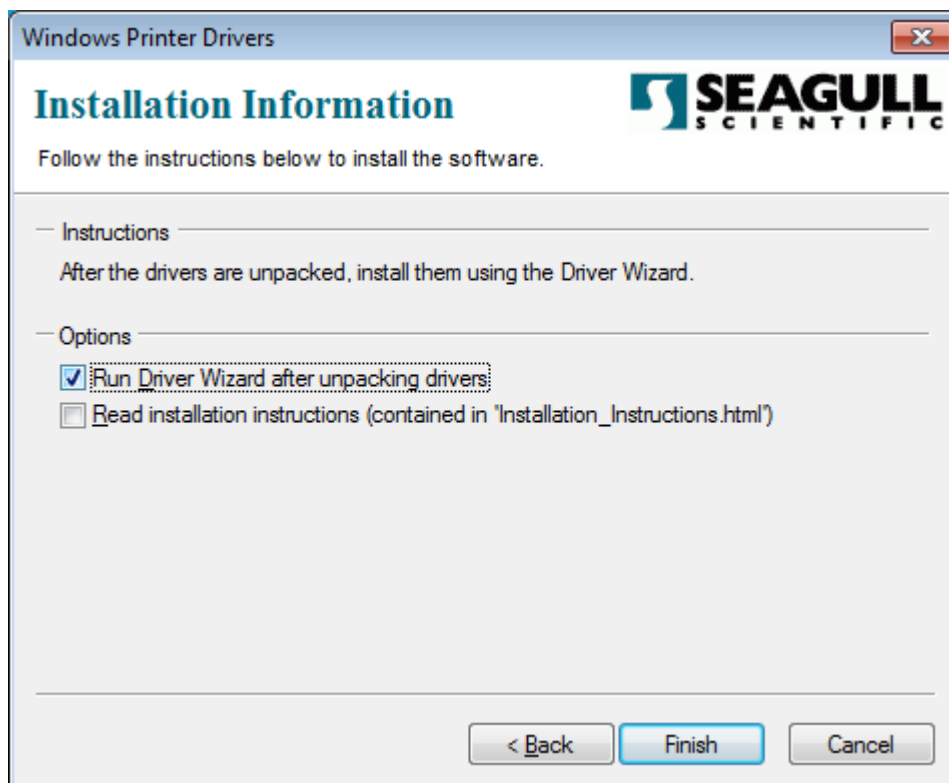
2. Read and agree the license agreement. Then click "Next".



3. Choose the installation directory, then click "Next".



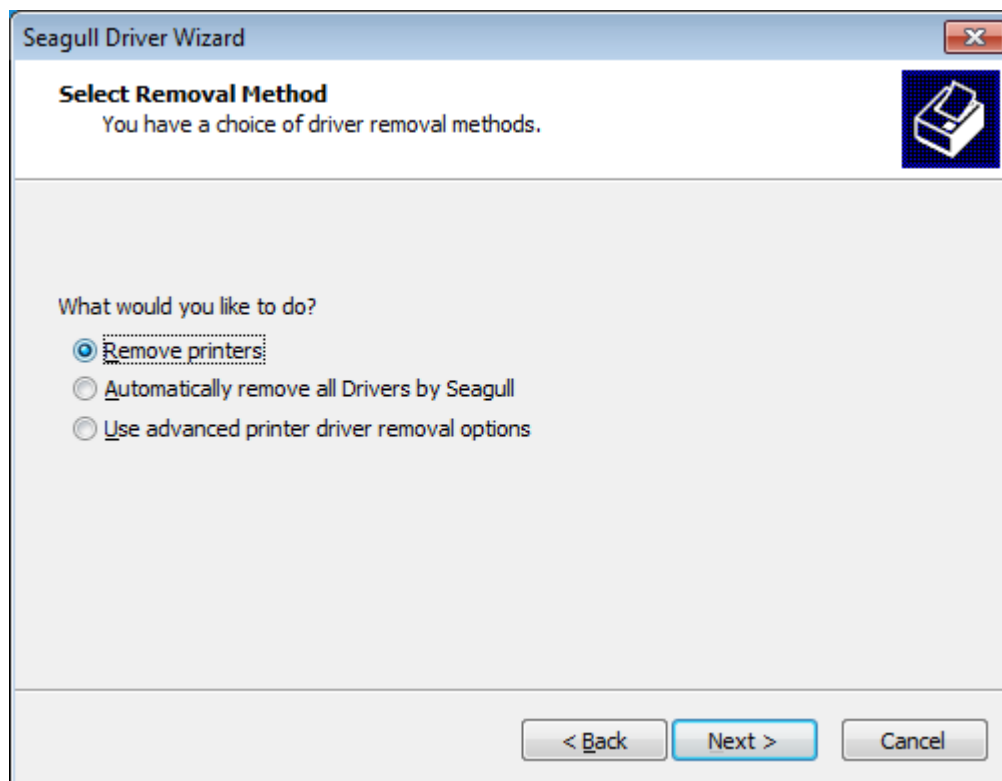
4. Click "Finish".



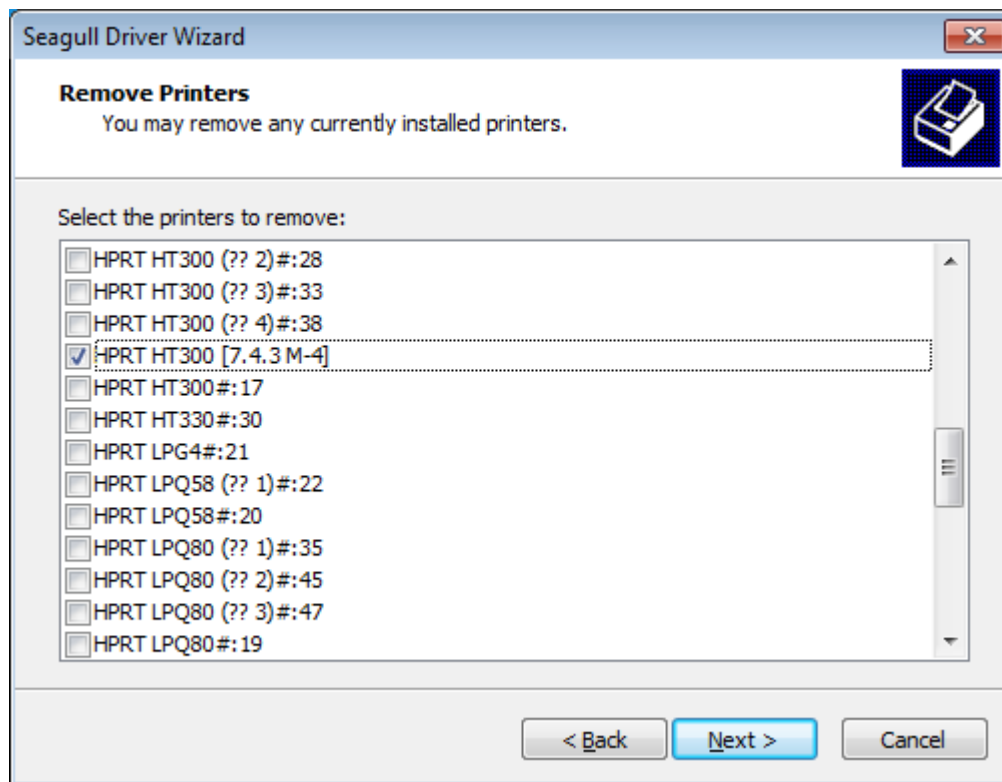
5. Select "Remove printer drivers", then click "Next".



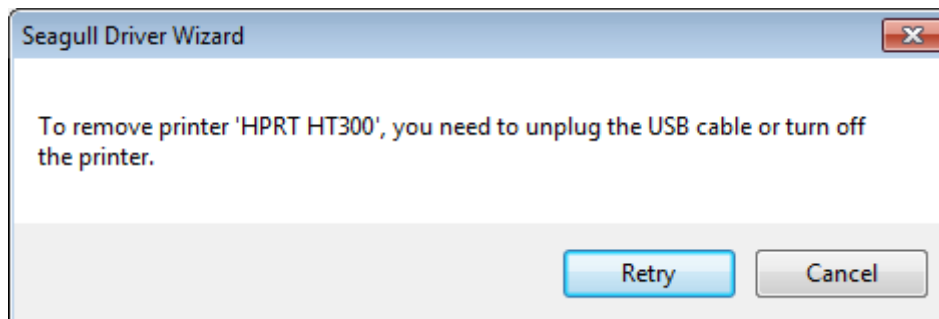
6. Select "Remove printers", then click "Next".



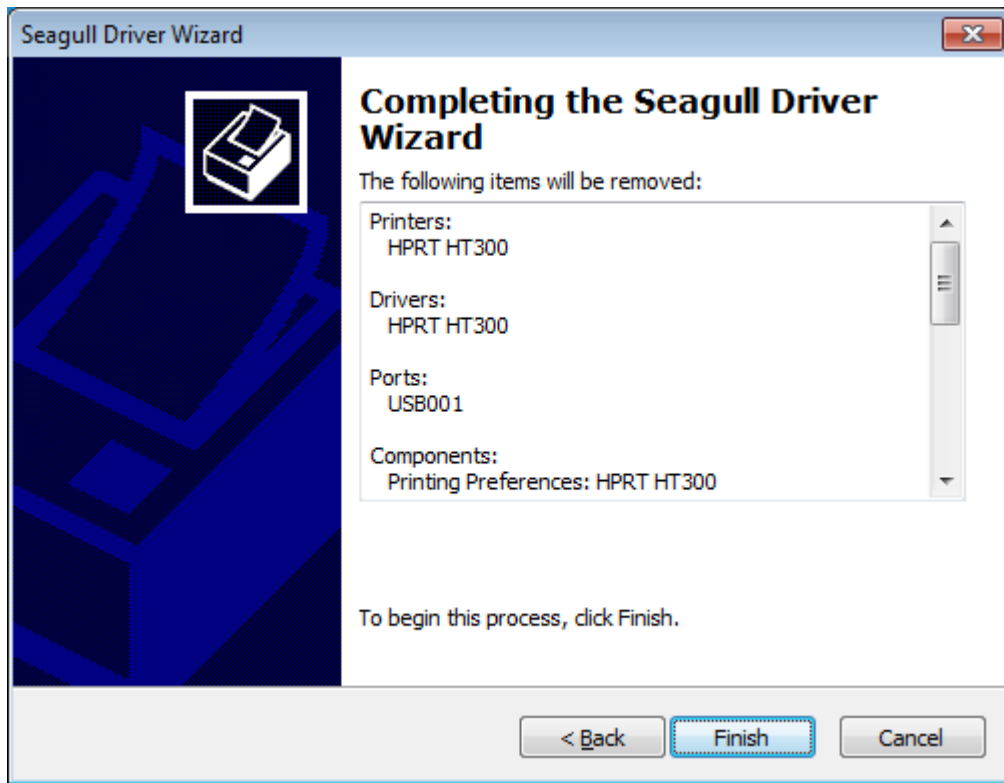
7. Select printer's name, then click "Next".



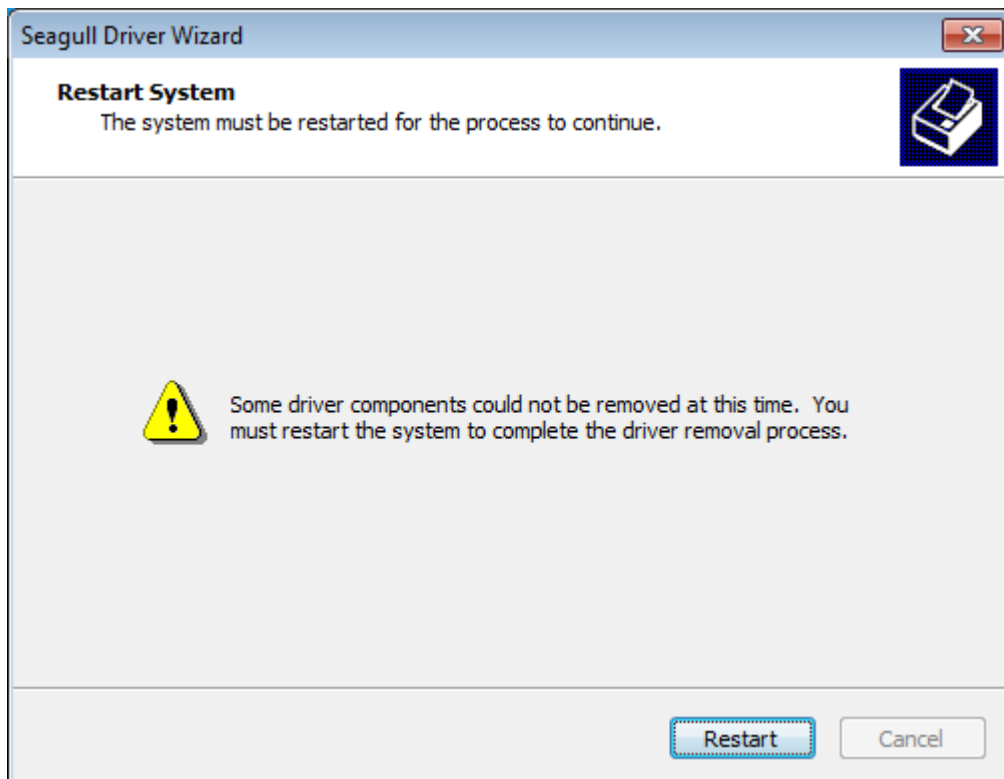
8. Please unplug the USB cable or turn off the printer when appearing the following prompt.



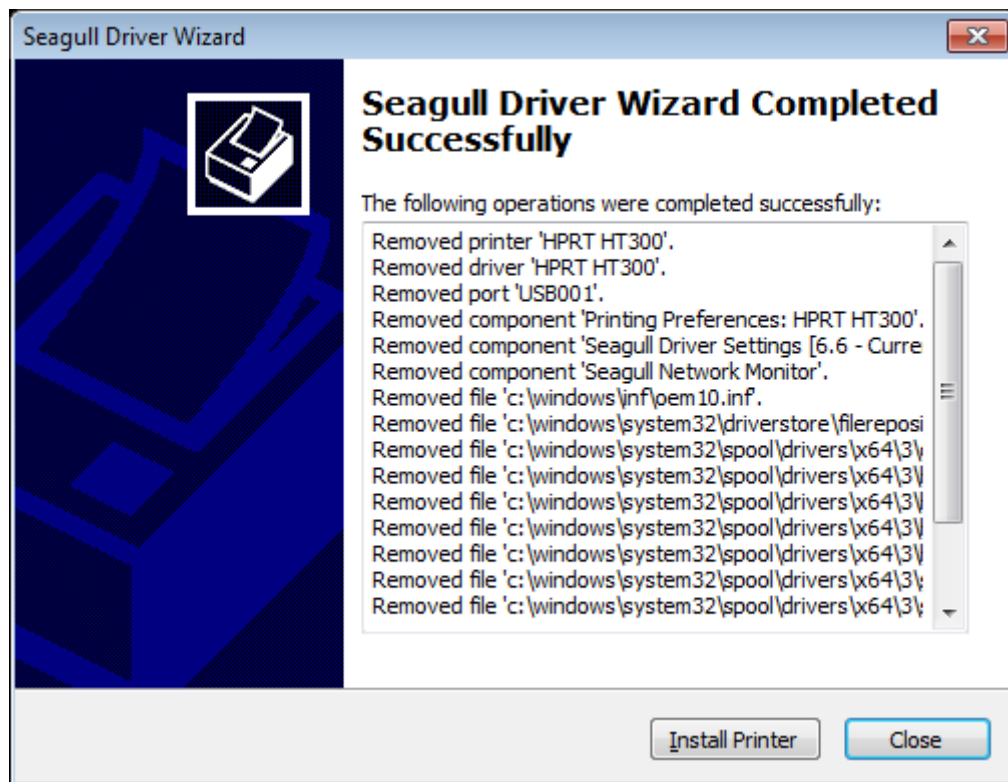
9. Click "Finish".



10. Restart the computer when appearing the following prompt, or continue step 11.



11. Click "Close". The driver has been removed successfully.





## Chapter 8 BarTender Ultralite Instructions

### 8.1 Introduction

This chapter provides instructions on BarTender Ultralite program according to PC operating systems(OS).

The followings are supported.

- Microsoft Windows 10 (32 bit/64 bit)

- Microsoft Windows 8 (32 bit/64 bit)

- Microsoft Windows 7 SPI (32 bit/64 bit)

- Microsoft Windows Vista SP2 (32 bit/64 bit)

- Microsoft Windows Server 2012(64 bit)

- Microsoft Windows Server 2008 R2

- Microsoft Windows Server 2008 SP2(32 bit/64 bit)

- Microsoft Windows Server 2003 R2 SP2(32 bit/64 bit)

### 8.2 Installation Preparation

Download BarTender Ultralite application program in CD.

## 8.3 Installation

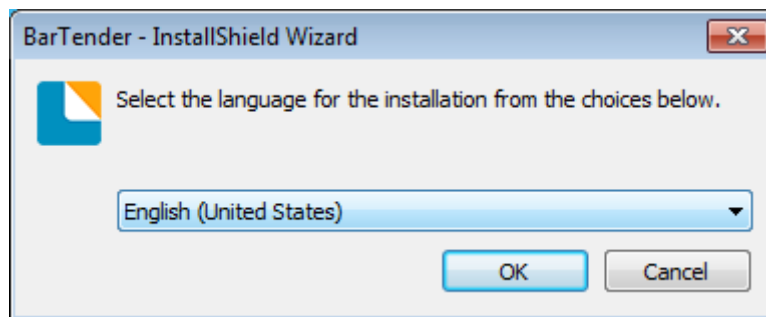


Note:

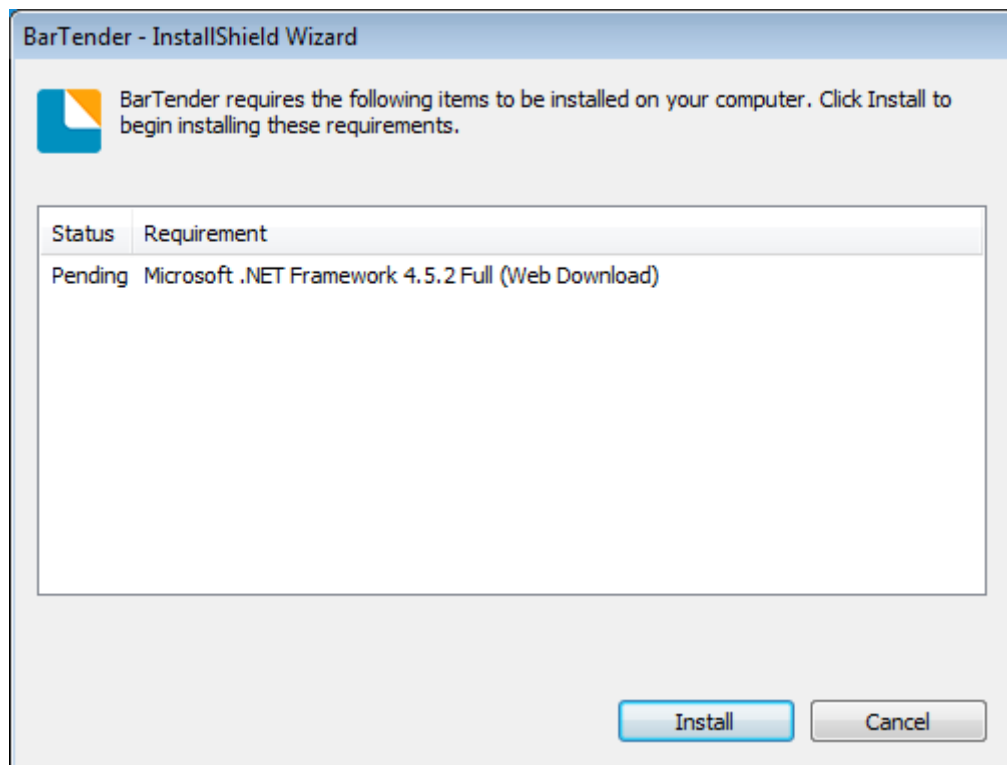
- Under different operating systems, the screen may be slightly different. Take Windows 7 as example.
- Take printer HT300 as example. Please refer to printer HT300 when using printer HT330.
- To avoid the prevention, recommend to close the security software before installation.

1. Double click application program .

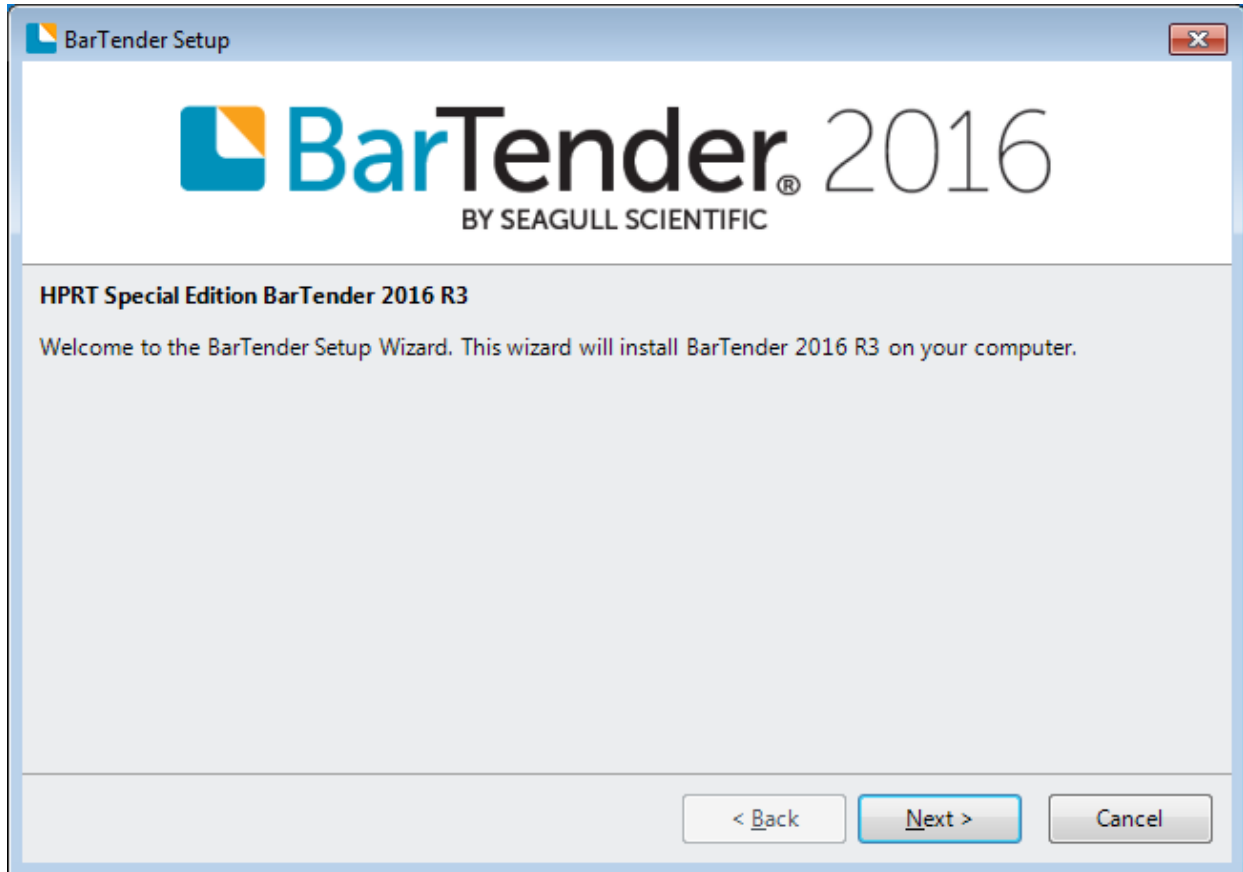
2. Select language, then click "OK".



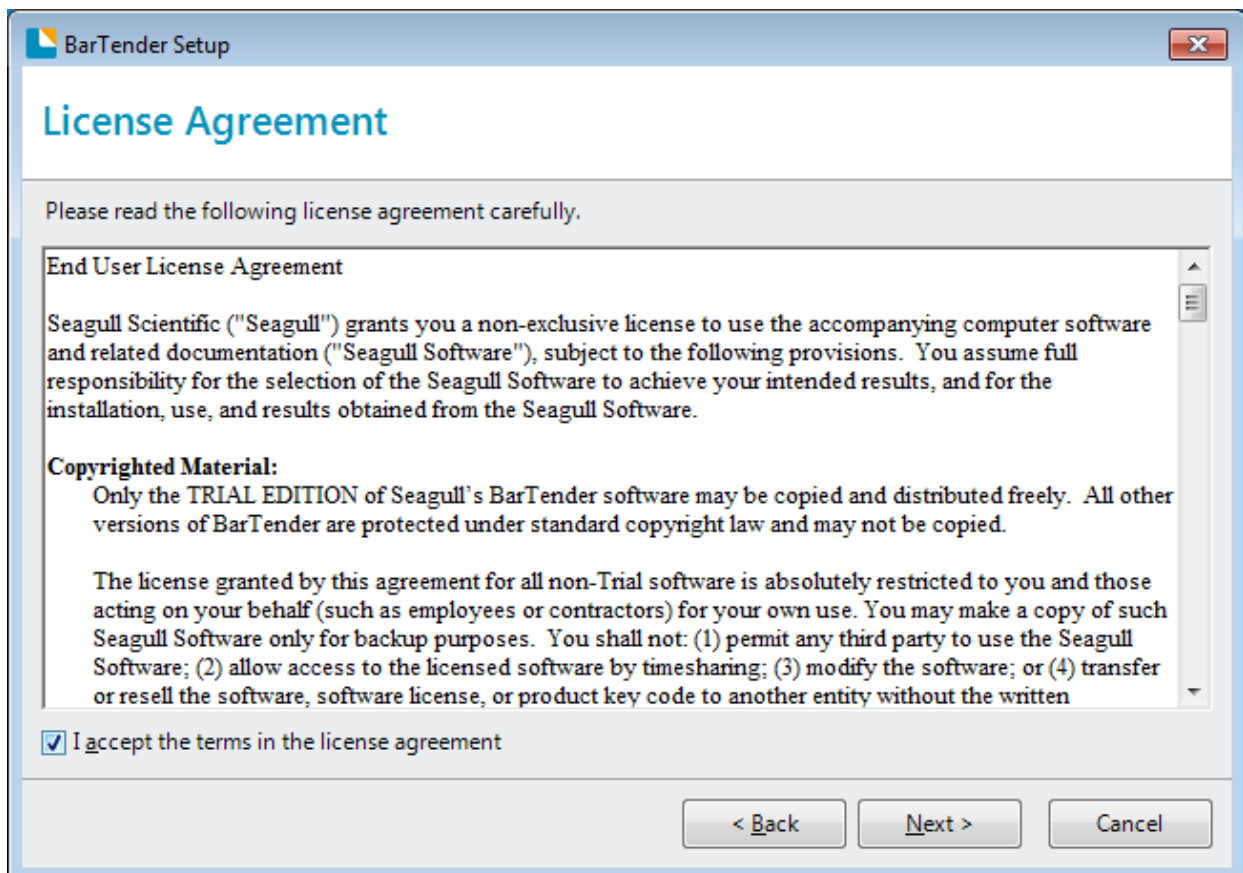
3. Click "Install".



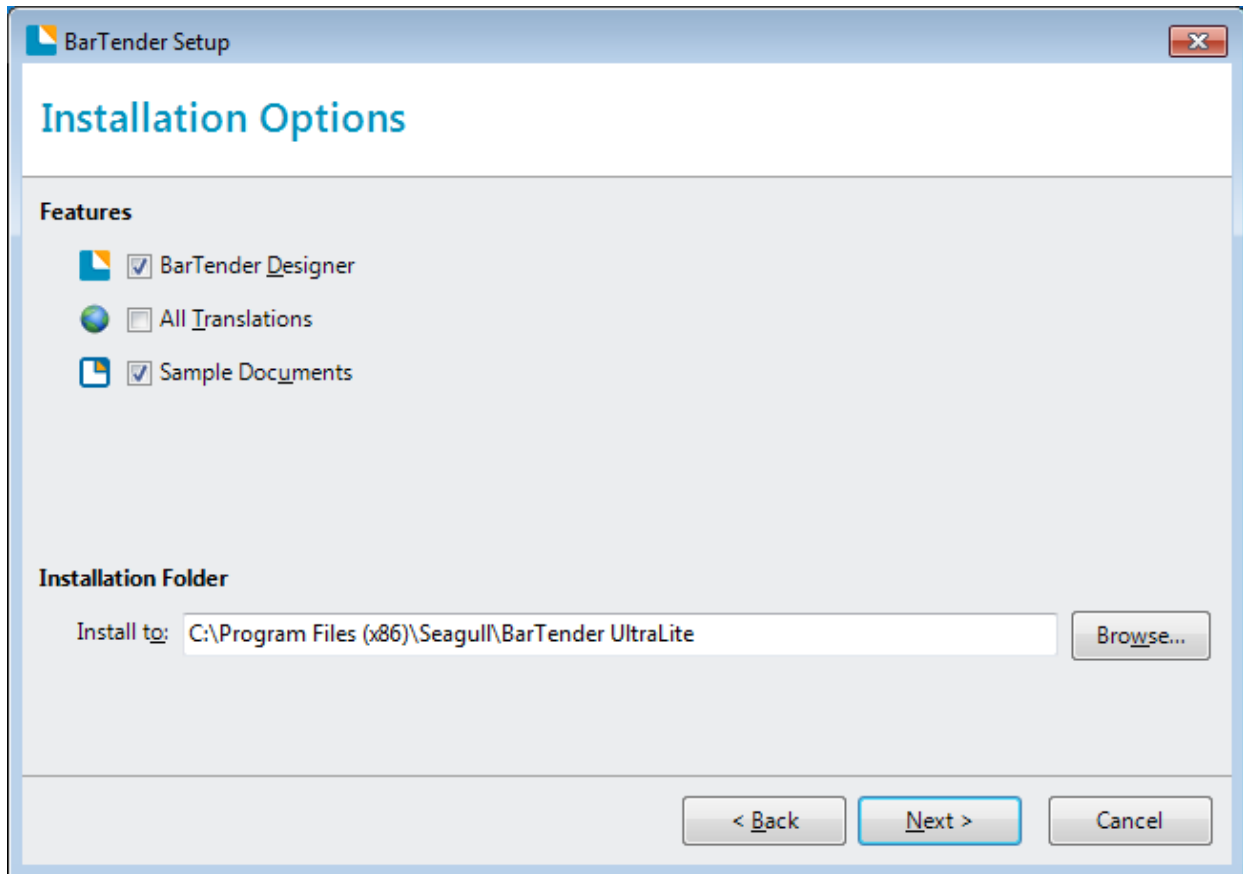
4. Click "Next".



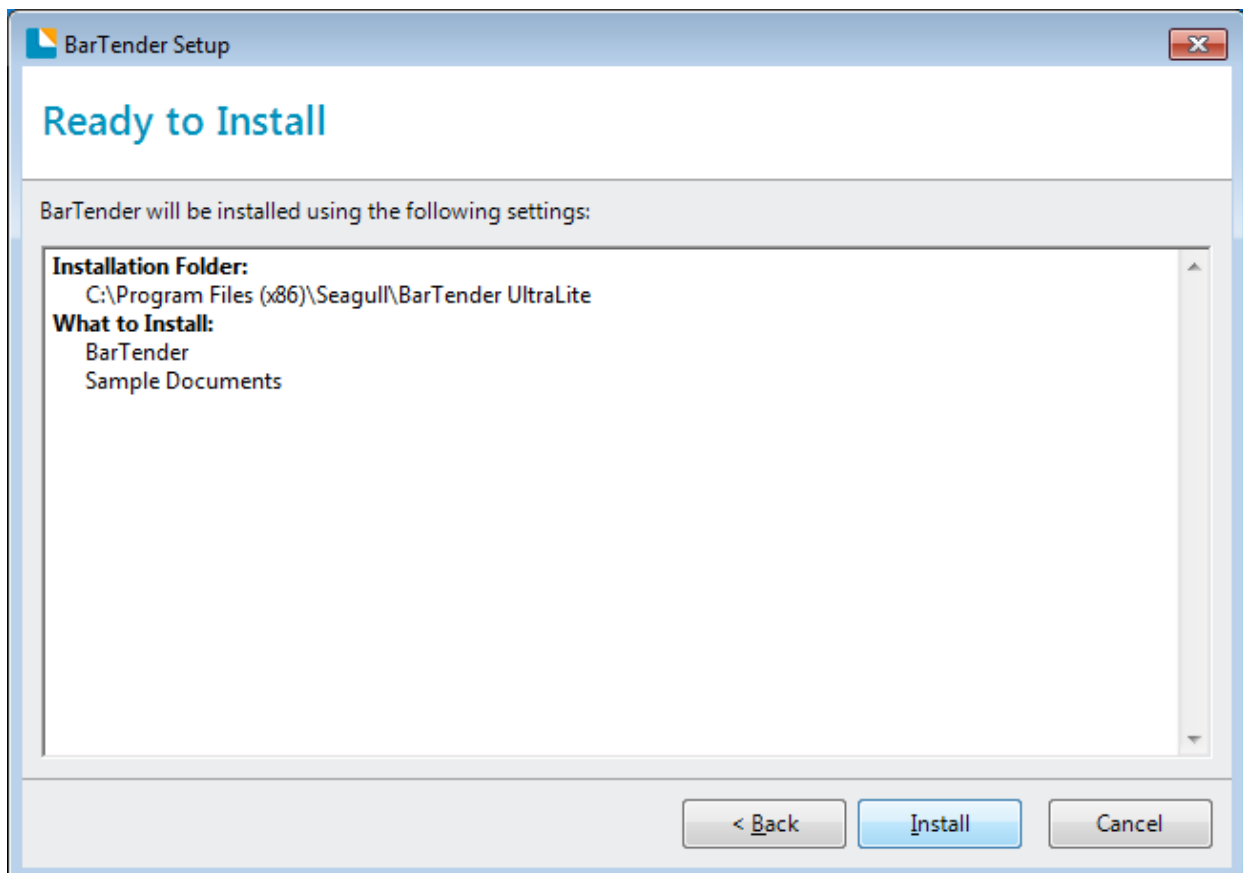
5. Read and accept the license agreement, then click "Next".



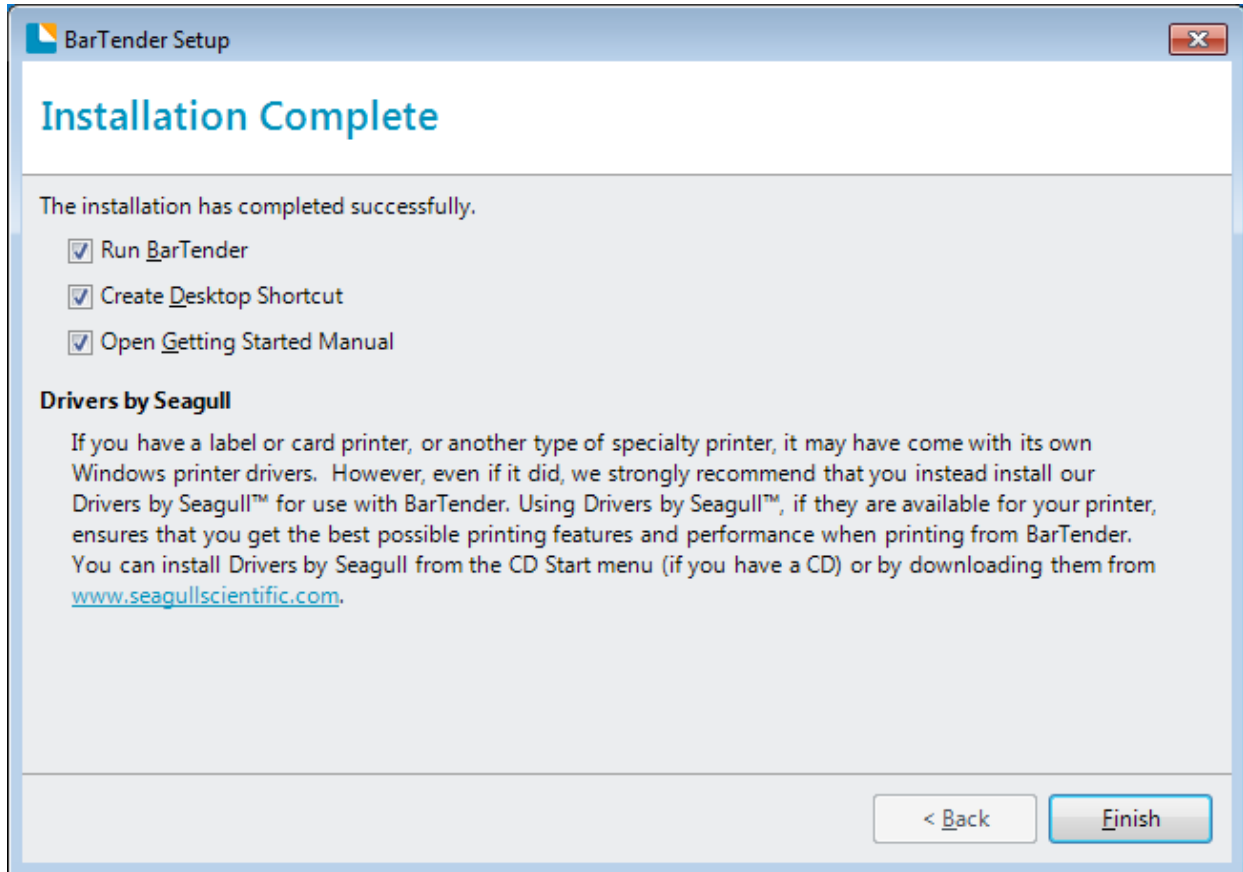
6. Select "Features" and Installation Location, then click "Next".



7. Click "Install".



8. Click "Finish".



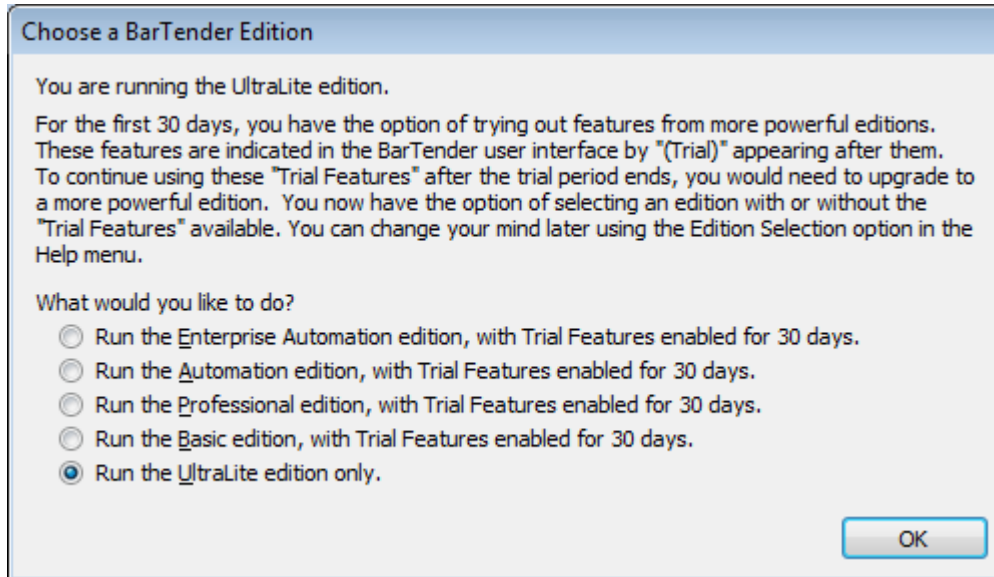
9. Back to desktop, and you will see the icon of BarTender Ultralite. Double click it, and start to use.



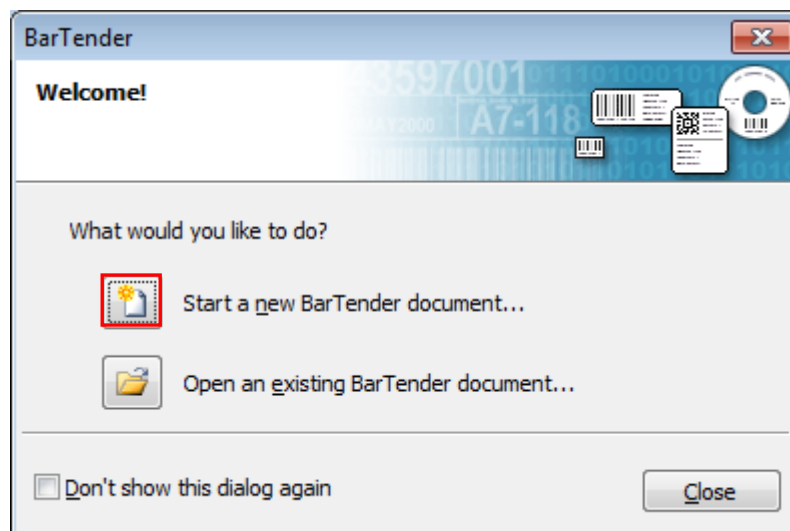
## 8.4 Usage

### 8.4.1 Page Settings

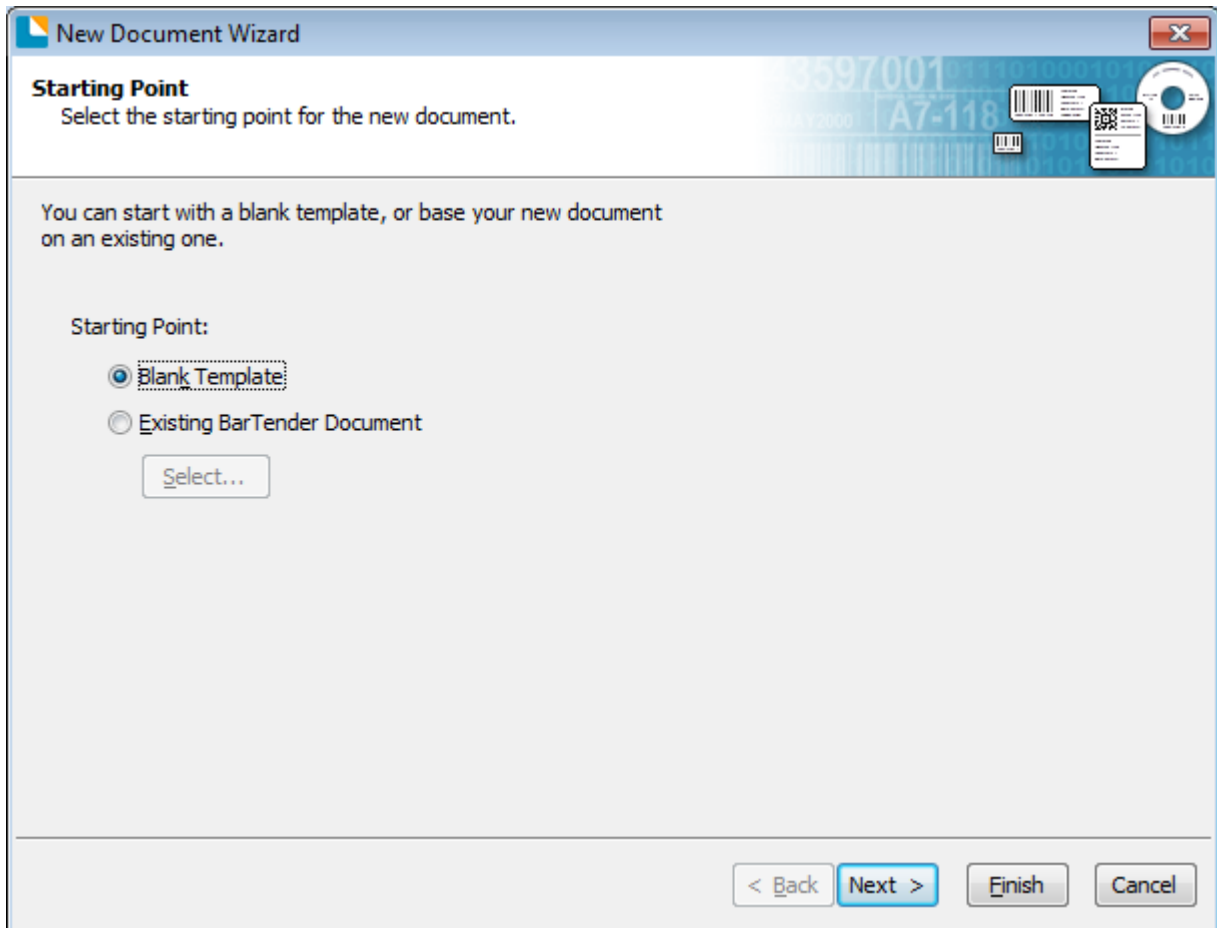
1. Double click the icon, then choose the edition. Click “OK”. (The edition may be changed according to different needs.)



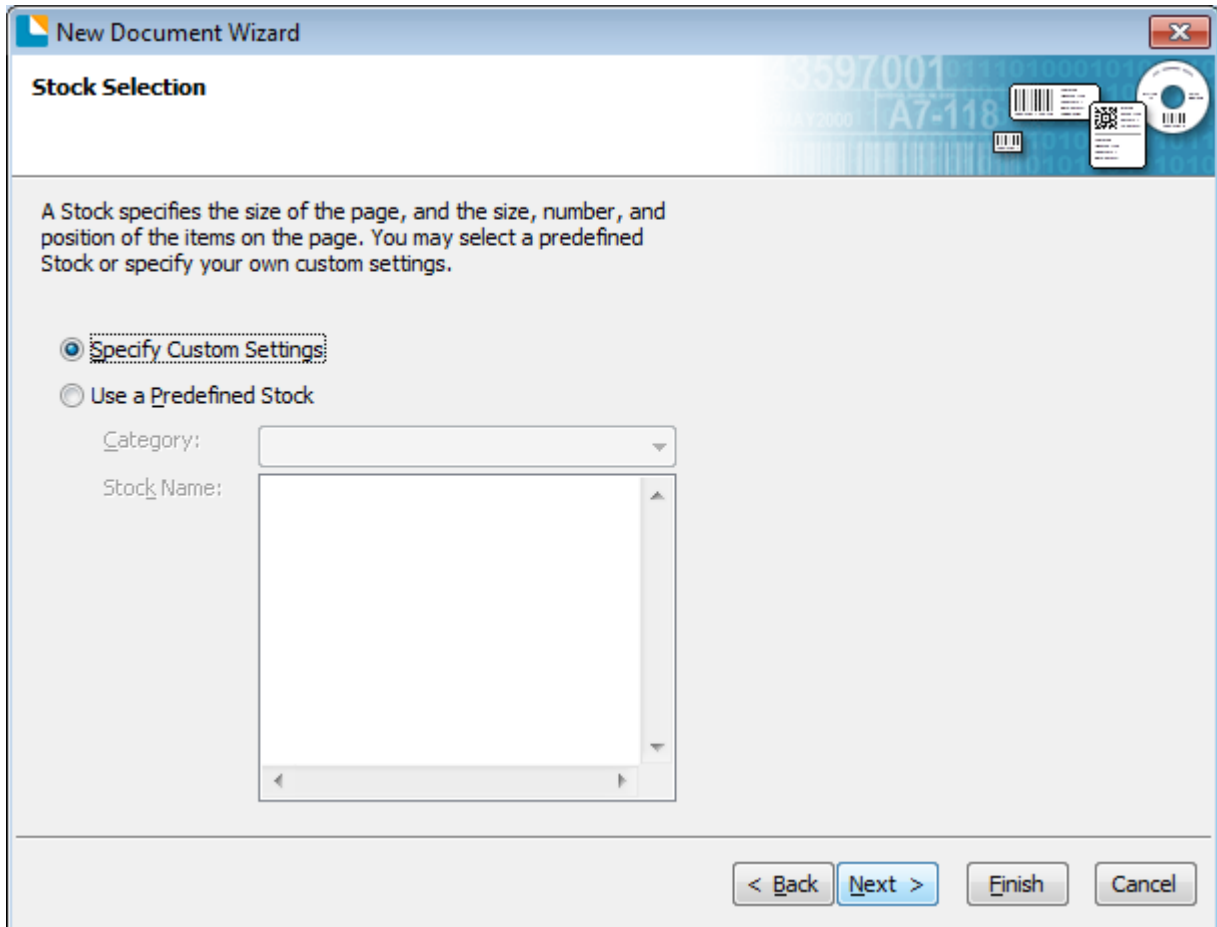
2. Click “Start a new BarTender document”.



3. Choose “Blank Template”, then click “Next”.



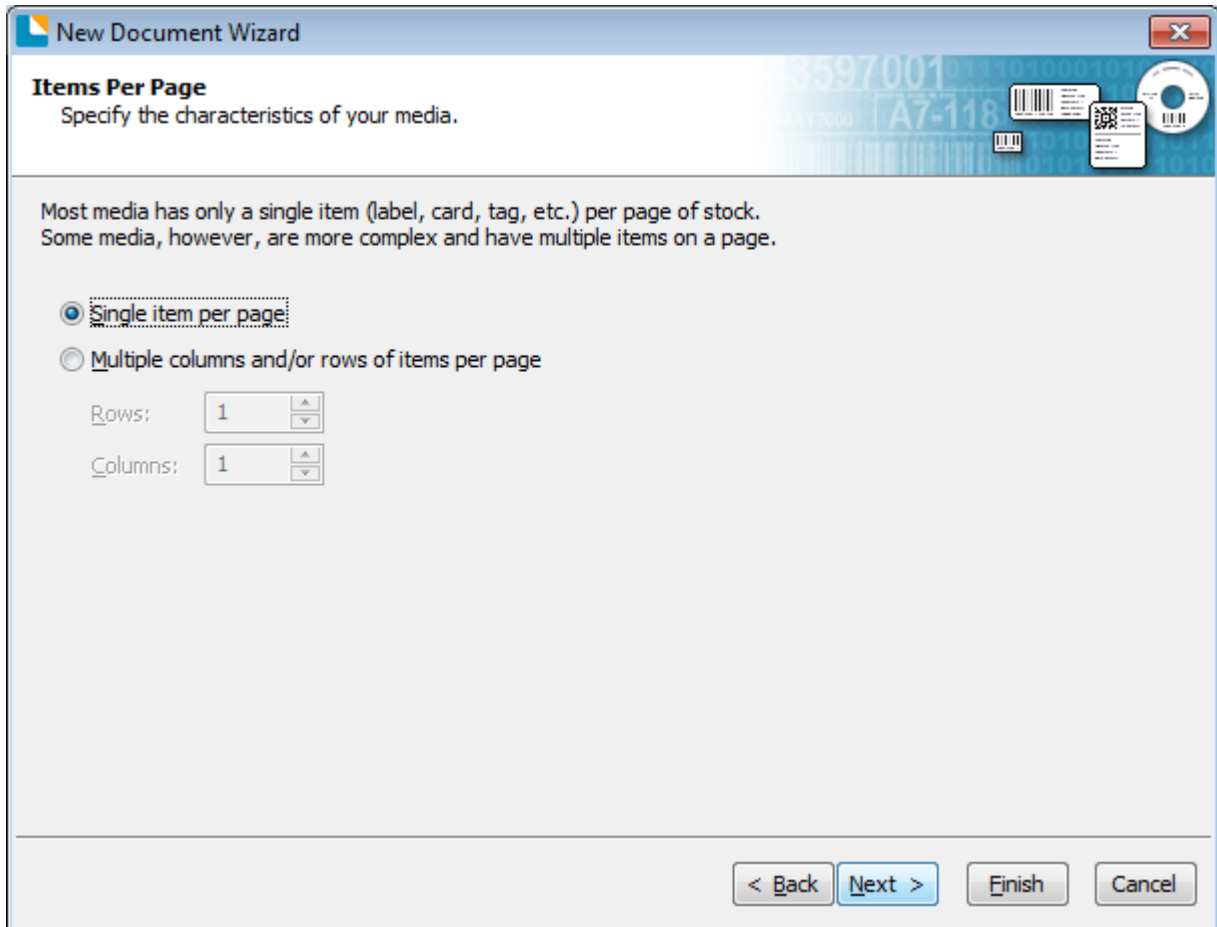
4.If the predefined stocks don't meet your need, tick "Specify Custom Settings". Then click"Next".



The screenshot shows a Windows-style dialog box titled "New Document Wizard" with a close button in the top right corner. The main heading is "Stock Selection". Below the heading is a decorative banner with various icons including a barcode, a QR code, and a CD. The main text reads: "A Stock specifies the size of the page, and the size, number, and position of the items on the page. You may select a predefined Stock or specify your own custom settings." There are two radio buttons: "Specify Custom Settings" (which is selected) and "Use a Predefined Stock". Below the "Use a Predefined Stock" option, there is a "Category:" dropdown menu and a "Stock Name:" text box with a scrollable area. At the bottom of the dialog, there are four buttons: "< Back", "Next >", "Finish", and "Cancel".

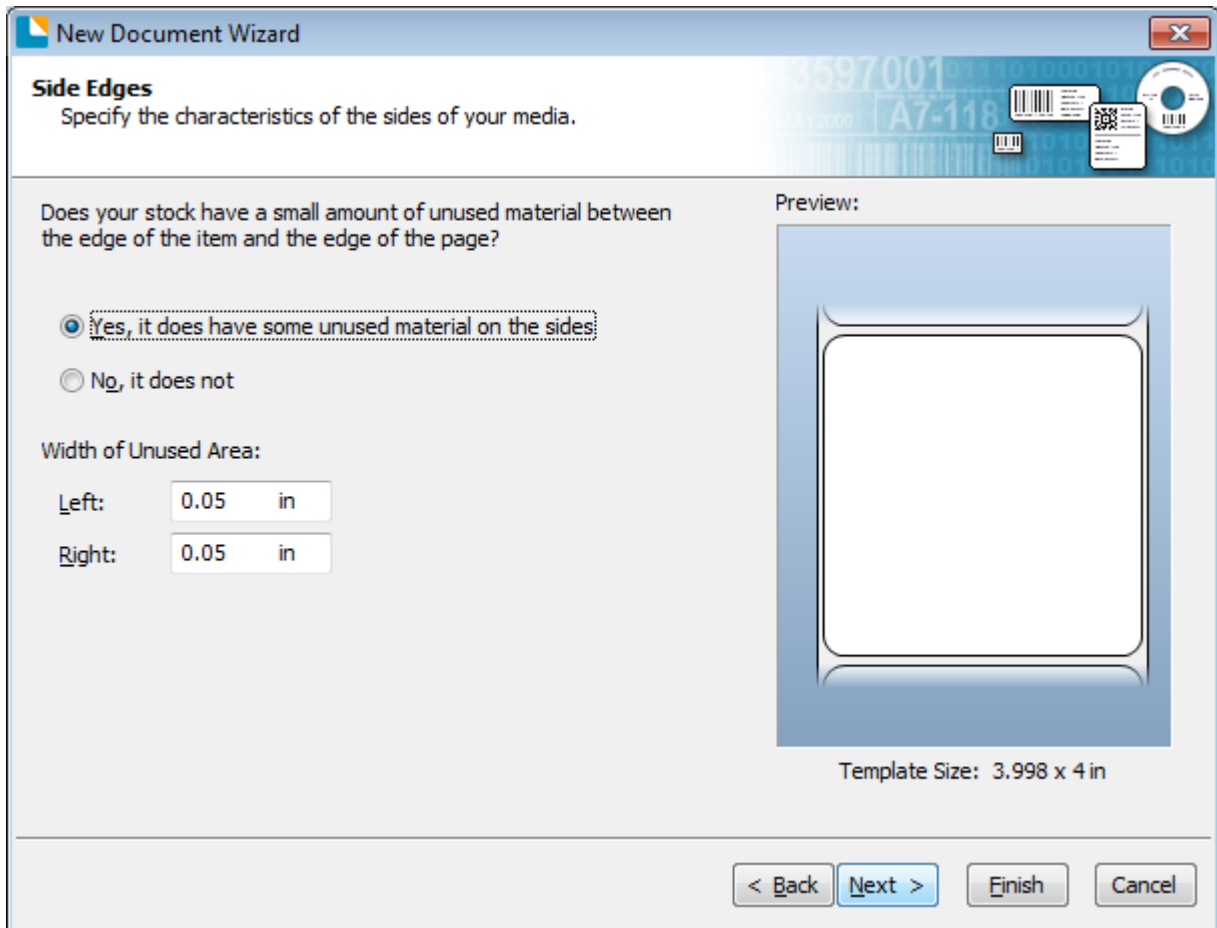


5. Tick “Single item per page”, then click “Next”. (If you print multiple labels, tick “Multiple columns and/or rows of items per page”.)



The screenshot shows a window titled "New Document Wizard" with a close button in the top right corner. The main heading is "Items Per Page" with the instruction "Specify the characteristics of your media." Below this, there is explanatory text: "Most media has only a single item (label, card, tag, etc.) per page of stock. Some media, however, are more complex and have multiple items on a page." Two radio buttons are present: "Single item per page" (which is selected) and "Multiple columns and/or rows of items per page". Under the second option, there are two spin boxes: "Rows:" and "Columns:", both currently set to the value "1". At the bottom of the window, there are four buttons: "< Back", "Next >", "Finish", and "Cancel". The "Next >" button is highlighted in blue.

6. Edit the side edges, then click “Next”.



**New Document Wizard**

**Side Edges**  
Specify the characteristics of the sides of your media.

Does your stock have a small amount of unused material between the edge of the item and the edge of the page?

Yes, it does have some unused material on the sides

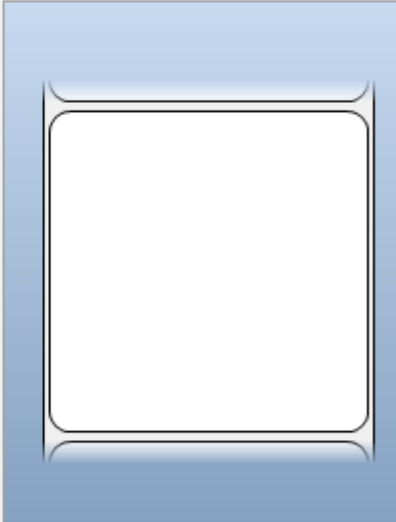
No, it does not

Width of Unused Area:

Left:  in

Right:  in

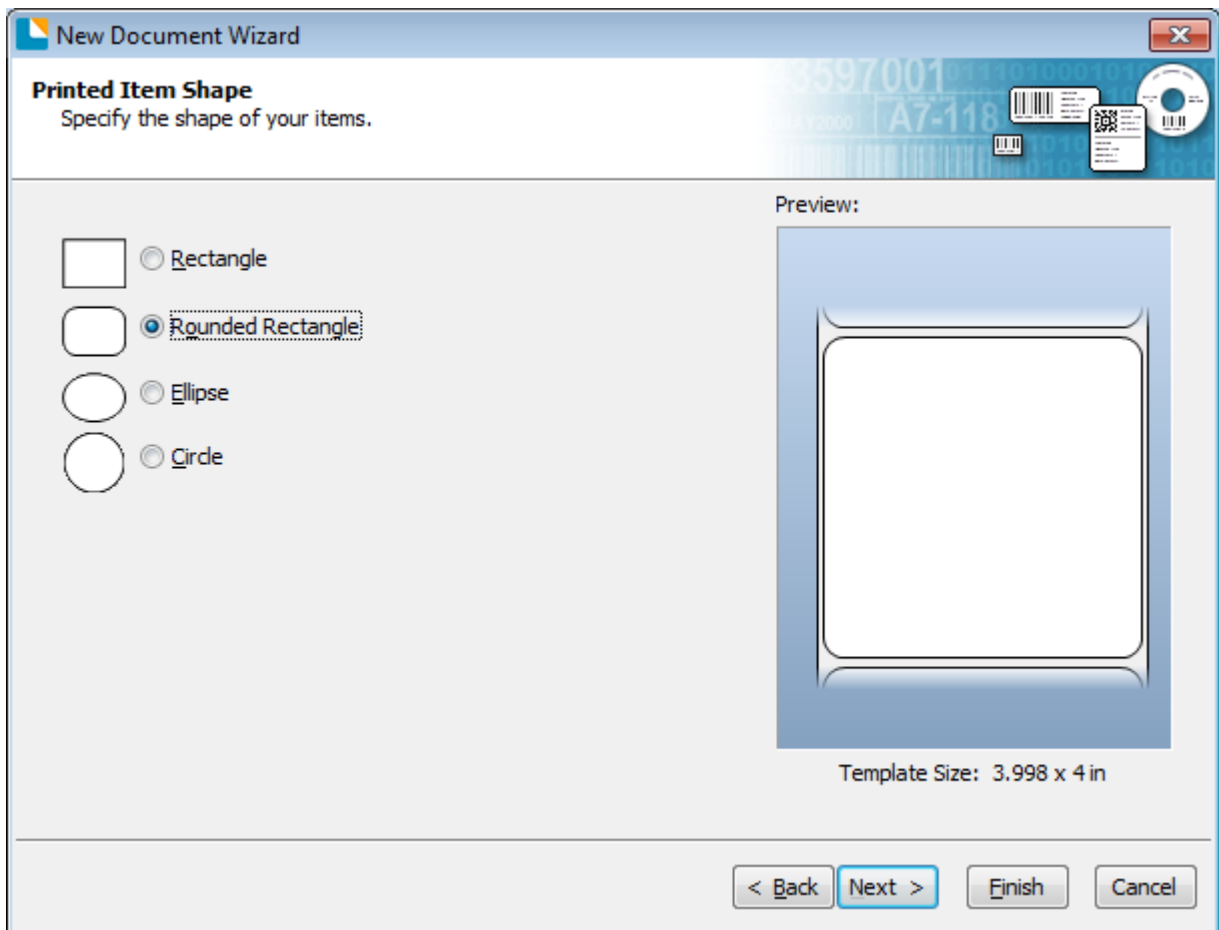
Preview:



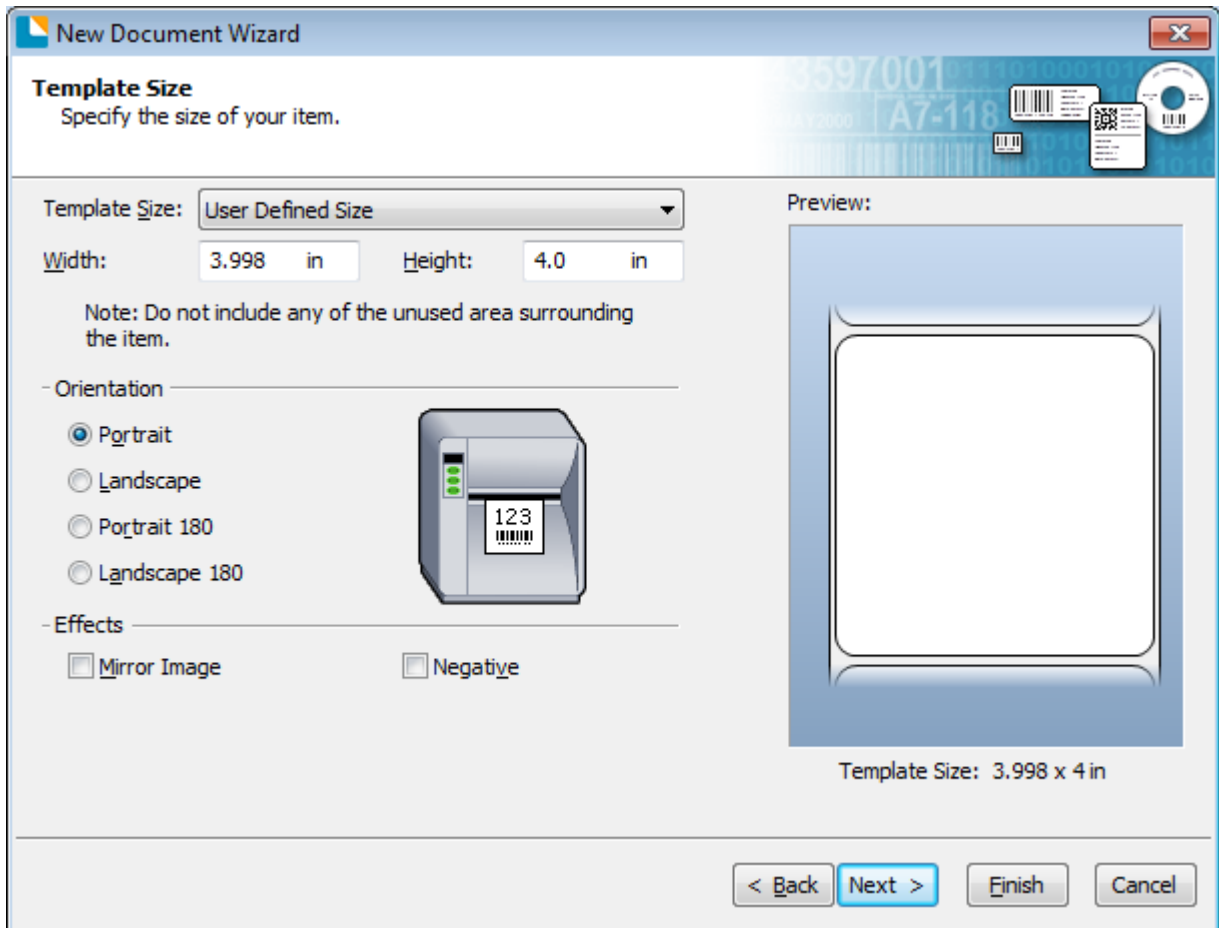
Template Size: 3.998 x 4 in

< Back Next > Finish Cancel

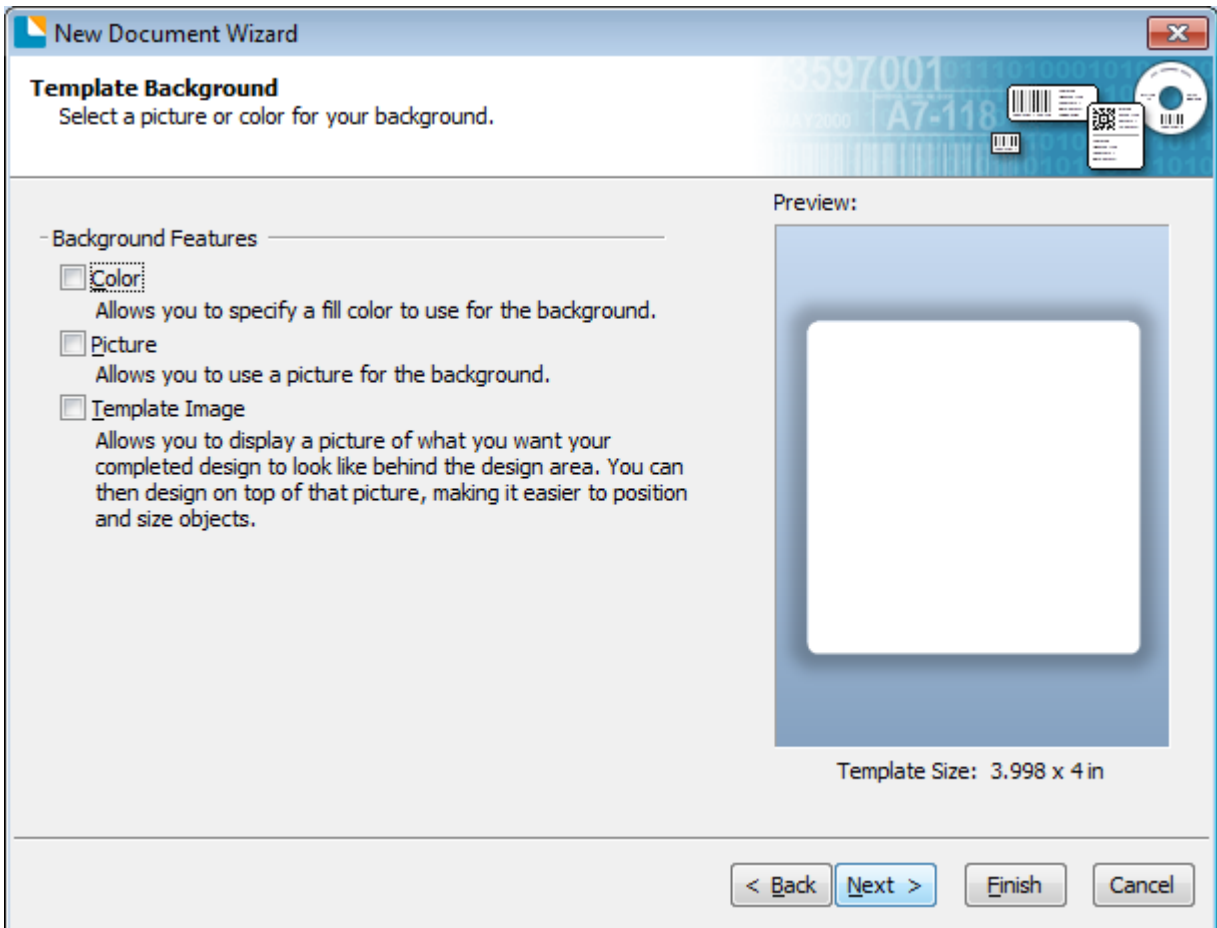
7. Choose the item shape, then click “Next”.



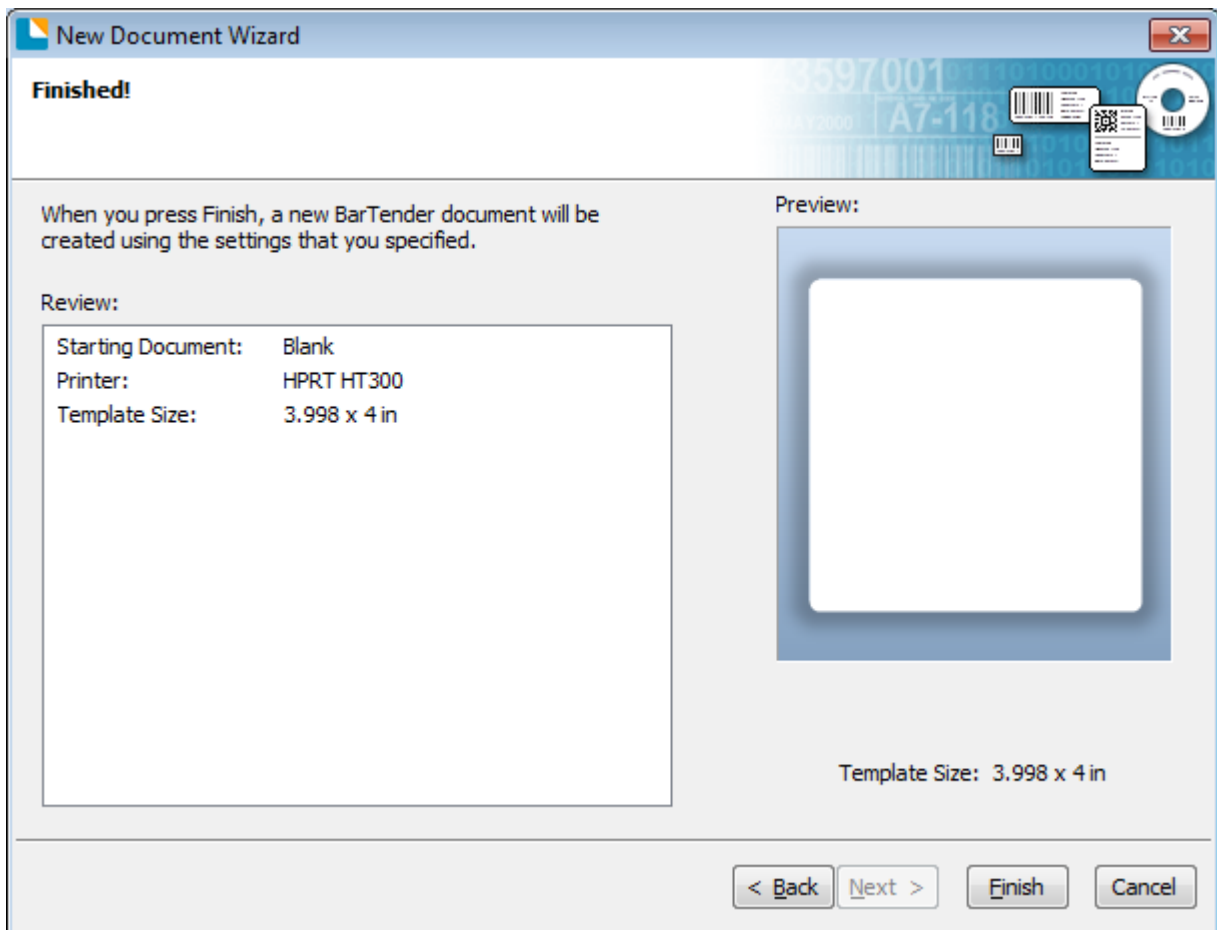
8. Edit the template size, then click "Next".



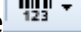
9. Based on your need, edit the template background. Then click "Next".



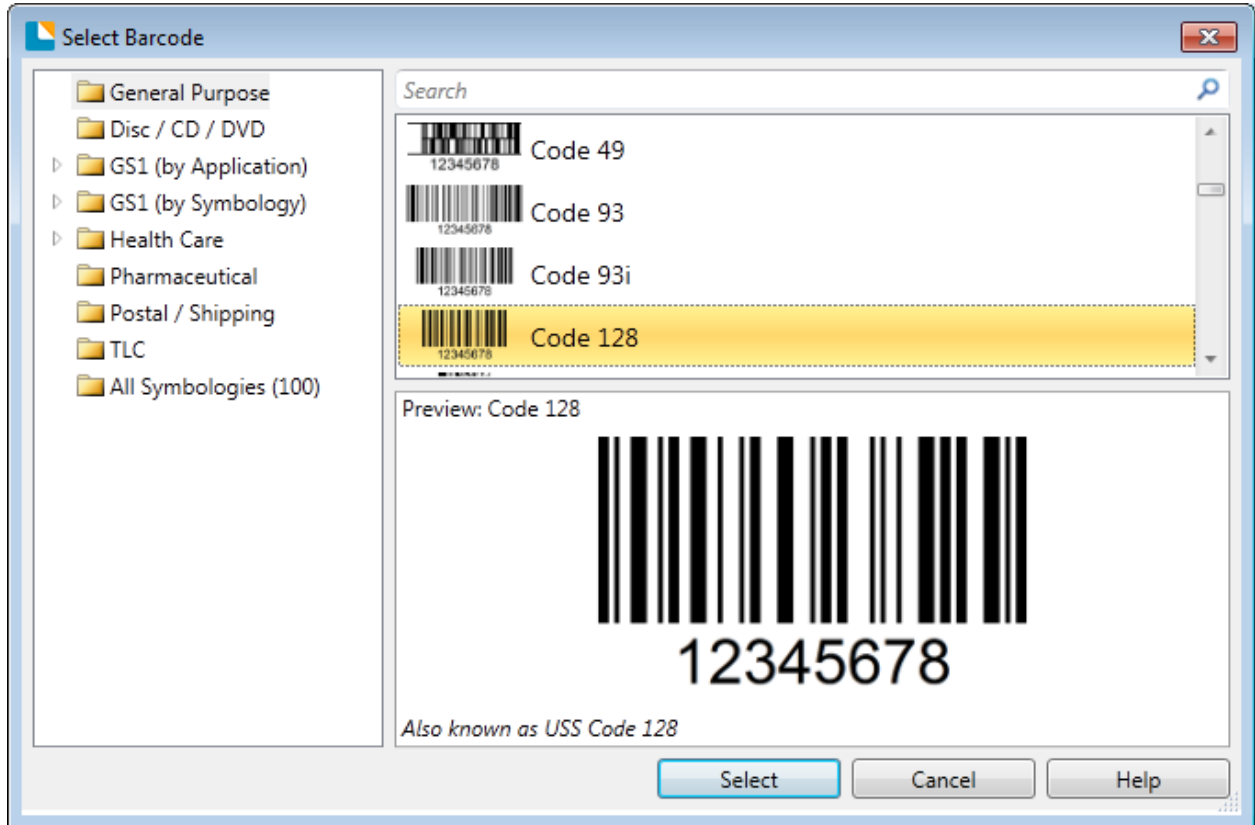
10. Finish the settings, showed in the “Review” and “Preview”. Then click “Finish”.



### 8.4.2 label Edit

1. Click the icon of code .

2. Choose the code, then click “Select”.

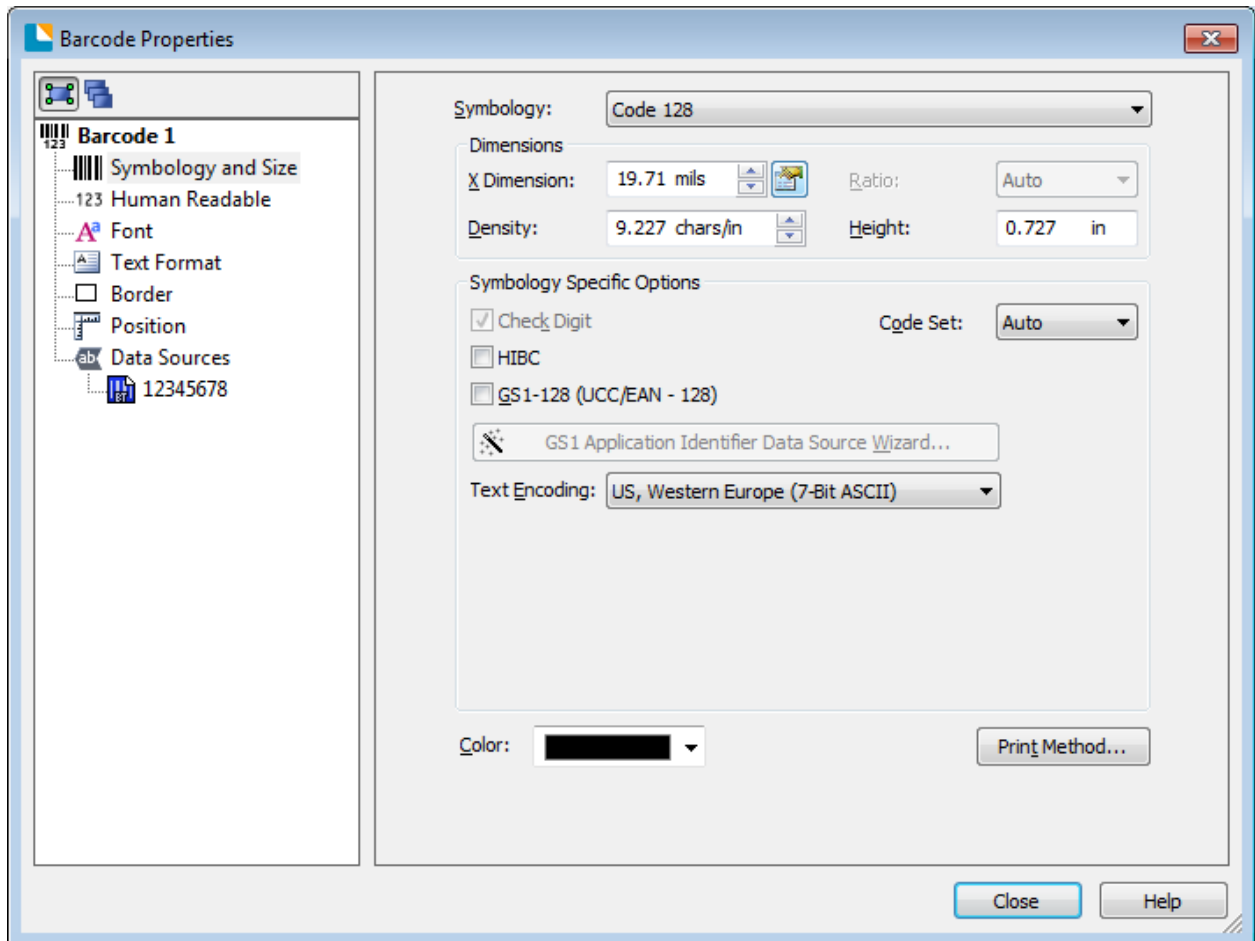


3. Click the blank, showing the code.







4. Double click the code and edit it. User can set up the size, font, border and so on.



Finishing the changes, click “Close”.

5. Click the icon of character , then enter the text.



6. Click the icon of picture , then edit the pictures.



7. Compose the text.



8. Finish all the settings. Click "Print" and a new label has been printed.

## Attachment:

### EC DECLARATION OF CONFORMITY

Manufacturer certifies that the following designated product

HT300+HT330

Type of product

Direct Thermal Label Printer

It is in conformity with the standards

*Test standard information*

Under the Council Directive: (LVD) Directive 2014/35/EU relating to electrical equipment designed for use within Low Voltage Directive.

EN 60950-1:2006+A11:2009+A1:2010+A12:2011+A2:2013

Under the Council Directive: (EMC) Directive 2014/30/EU relating to Electro Magnetic Compatibility.

EN 55032:2015

EN 55024:2010

EN 61000-3-2:2014

EN 61000-3-3:2013

We declare herewith that as a result of the manner in which the device designated below was designed, the type of construction and the devices which, as a result have been brought on to the general market comply with the relevant fundamental regulations of the EC Rules for Safety. And we declare herewith the below mentioned model is conformity with Directive 2014/30/EU and 2014/35/EU. In the event of any alteration which has not been approved by us being made to any device as designated below, this statement shall thereby be made invalid.

The declaration is sole responsibility of the manufacturer

*Name of manufacturer*

Xiamen Hanin Electronic Technology Co. Ltd.

## FCC-DECLARATION OF CONFORMITY

Product

HT300+HT330

We, Xiamen Hanin Electronic Technology Co. Ltd, declare that the product conforms to the following specification: FCC Part 15, Subpart B Class A digital device.

This device complies with Part 15 of the FCC rules. Operation is subject to the following Two Conditions:

- This device may not cause harmful interference;
- This device must accept any interference received, including interference that may cause undesired operation.
- The user is cautioned that any changes or modification not expressly approved in this manual could void the user's authority to operate the equipment. To ensure compliance, this printer must be used with shielded communication cables.
- Use only power supplies listed in this manual and /or recommended and approved in this manual.